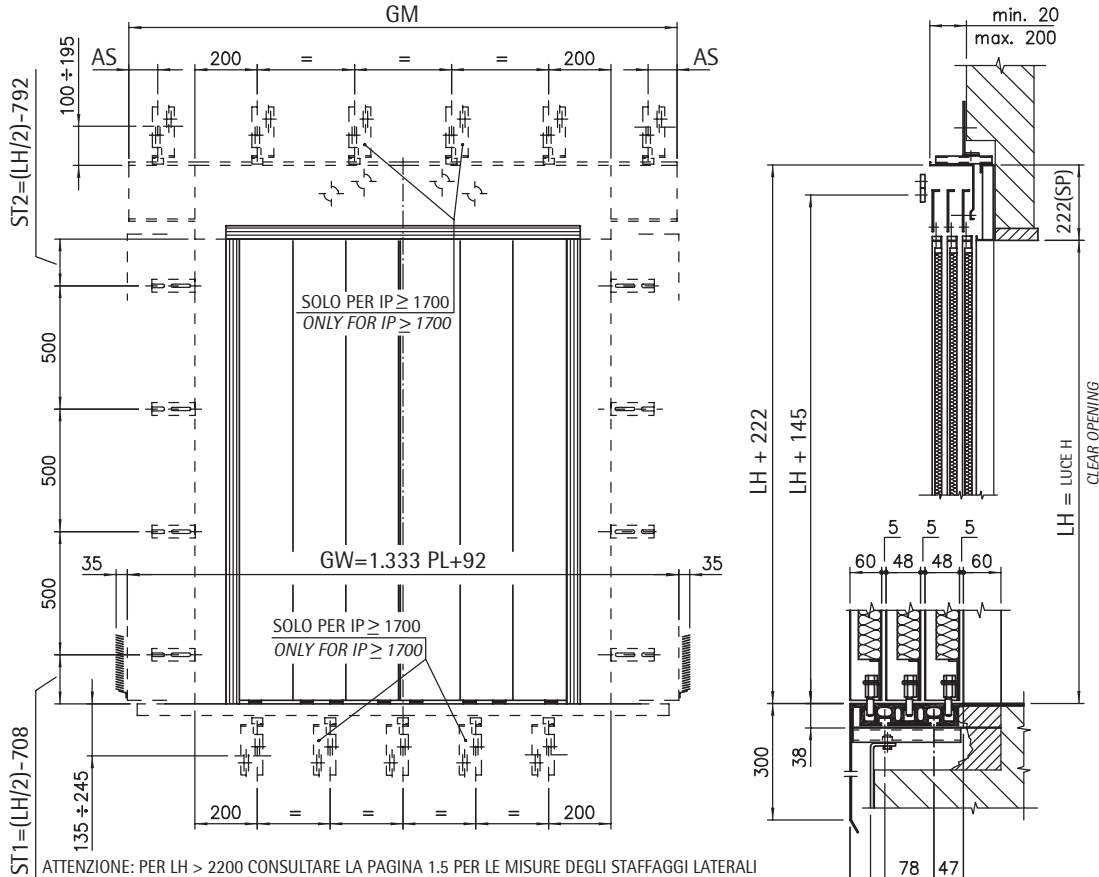


PORTE AUTOMATICHE SERIE 3201-HYDRA
 AUTOMATIC DOORS SERIES 3201-HYDRA

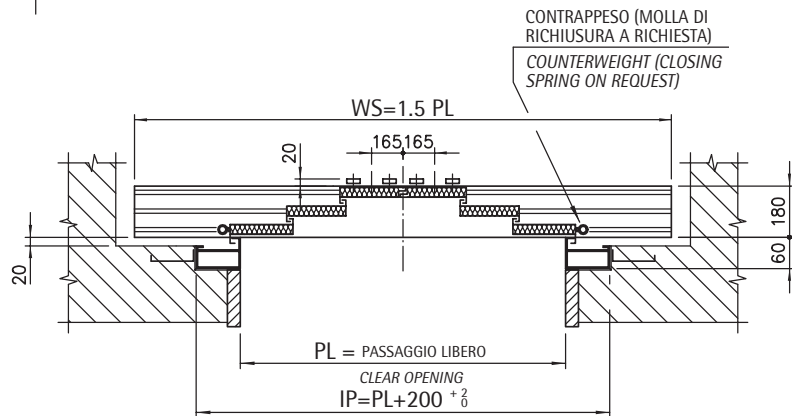


Cod. 3201.30.0300
 Pag./page 6.8.5
 Data/date 25.07.2006
 Vers./version A

PORTA DI PIANO TAGLIAFUOCO 6 ANTE OPPOSITE, TYP 61/C PL=1500÷3200
 SIX PANELS FIRE-CUTTING CENTRE PARTING LANDING DOOR



ATTENZIONE: PER LH > 2200 CONSULTARE LA PAGINA 1.5 PER LE MISURE DEGLI STAFFAGGI LATERALI
 NOTE: HEIGHT > 2200 SEE PAGE 1.5 FOR DIMENSIONS OF SIDE BRACKETS



PER LE DIMENSIONI CERTIFICATE VEDERE PAG. 1.21.4
 FOR THE CERTIFIED DIMENSIONS SEE PAGE 1.21.4

PL	GM	WS	GW	AS
1500	2200	2000	2092	120
1550	2250	2050	2158	145
1600	2300	2130	2225	120
1650	2350	2200	2291	145
1700	2400	2250	2358	120
1750	2450	2330	2425	145
1800	2500	2400	2491	120
1850	2600	2450	2558	145
1900	2650	2530	2625	120
1950	2700	2600	2691	145
2000	2750	2650	2758	120
2050	2870	2730	2825	180
2100	2920	2800	2891	155
2150	2970	2850	2958	180
2200	3020	2930	3025	155
2250	3070	3000	3091	180
2300	3220	3050	3158	120
2350	3270	3130	3225	145
2400	3320	3200	3291	120
2450	3370	3250	3358	145
2500	3420	3330	3425	120
2550	3470	3400	3491	145
2600	3650	3450	3558	120
2650	3700	3530	3624	145
2700	3750	3600	3691	120
2750	3800	3650	3758	145
2800	3850	3730	3824	120
2850	3900	3800	3891	145
2900	3950	3850	3958	120
2950	4090	3930	4024	190
3000	4140	4000	4091	120
3050	4190	4050	4158	145
3100	4240	4130	4224	120
3150	4290	4200	4291	145
3200	4390	4250	4358	145