

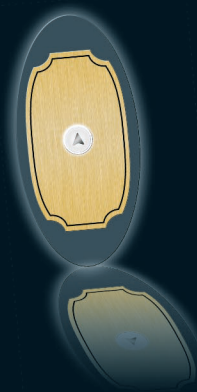


[HTTP://WWW.HUNTER98.COM](http://www.hunter98.com)



电梯操作面板系列

Car Operation Panel Series



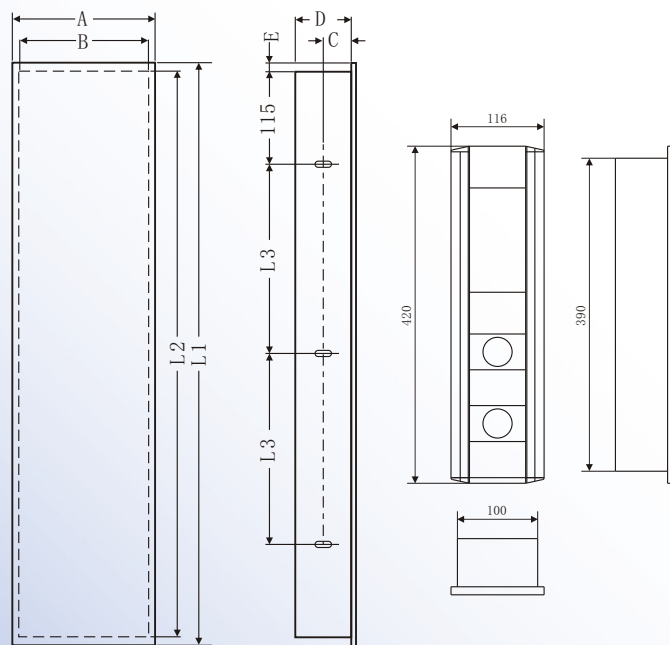
南通亨特电器有限公司

Nantong Hunter Electrical Equipment Co., Ltd.

特点及规格 Feature & Specification

- 不锈钢 (HCP61-S)、工程塑料 (HCP61-P) 或铁氟龙喷涂 (HCP61-SP) 组合式面板, 铝合金装饰型材镶边;
- 铰链开启式面板盒体连接机构, 操纵盘可以更换铰链的组装位置实现操纵盘面板的左或右开启;
- 内部功能检修盒的检修门采用下拉式结构, 不锈钢和铁氟龙喷涂的面板可选用侧开门或下翻式开门;
- 显示器的显示信号输入方式: 七段码、BCD码、格雷码或二进制码;
- 按钮可选用D系列, TH系列、RSA系列、MD系列、TNA系列、DSA系列、RLN系列等。
- Faceplate: made of hairline finished stainless steel(HCP61-S), engineering plastics(HCP61-P), spray Teflon (HCP61-SP) combined type, with aluminum frame (HCP61-SP) .
- Hinged faceplate can be opened on the left or right, and the operating board can adjust the installation direction of hinge.
- Inspection door of inner inspection box use drop-down type structure, the stainless steel and sprayed Teflon faceplate to be opened on side-opening and turn-down type.
- Signal input of the display: seven segment code, BCD code, grey code and binary code.
- Various of push buttons for selection: D series, TH series, RSA series, MD series, TNA series, DSA series, TH series, RLN series and so on.

安装尺寸 Installation Dimensions



| Dim | A | B | C | D | E | L1 | L2 | L3 |
|-------|-----|-----|----|----|----|------|------|-----|
| STOPS | | | | | | | | |
| 2-12 | | | | | | 1200 | 1160 | 465 |
| 13-22 | 166 | 150 | 30 | 65 | 20 | 1400 | 1360 | 565 |
| 23-32 | | | | | | 1650 | 1610 | 690 |



HCP61-S

HCP61-P

HHP61S-A3

HHP61P-B3

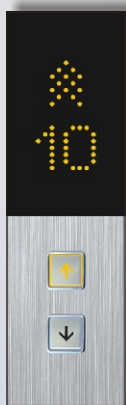
HHP61P-A3



HCP62



HHP62-B3



HHP62-A3

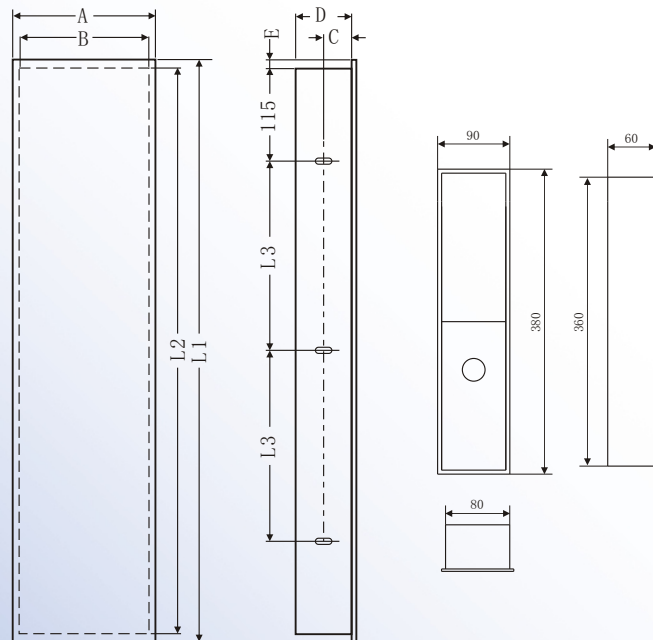


HHP62/K

特点及规格 Feature & Specification

- 面板材料采用：镜面不锈钢、发纹不锈钢，钛金不锈钢；
- 铰链开启式面板盒体连接机构，操纵盘可以更换铰链的组装位置实现操纵盘面板的左或右开启；
- 内部功能检修盒的检修门采用下拉式结构，可选用侧开门或下翻式开门；
- 显示器的显示信号输入方式：七段码、BCD码、格雷码或二进制码；
- 按钮可选用D系列，LG系列、RSA系列、MT系列、TNA系列、RLN系列、DSA系列等。
- Faceplate: mirror finished stainless steel, made of hairline finished stainless steel, titanium golden stainless steel and so on.
- Hinged faceplate can be opened on the left or right, and the operating board can adjust the installation direction of hinge.
- Inspection door of inner inspection box to be opened on side-opening and turn-down type by using drop-down structure.
- Signal input of the display: seven segment code, BCD code, grey code and binary code.
- Various of push buttons for selection: D series, LG series, RSA series, MT series, TNA series, RLN series, DSA series and so on.

安装尺寸 Installation Dimensions



| STOPS | Dim | A | B | C | D | E | L1 | L2 | L3 |
|-------|------|-----|-----|----|----|----|------|------|-----|
| 2-12 | | 180 | 160 | 30 | 65 | 10 | 1200 | 1160 | 465 |
| 13-22 | 1400 | | | | | | 1360 | 565 | |
| 23-32 | 1650 | | | | | | 1610 | 690 | |



HCP64



HHP64-A1



HHP64-B4

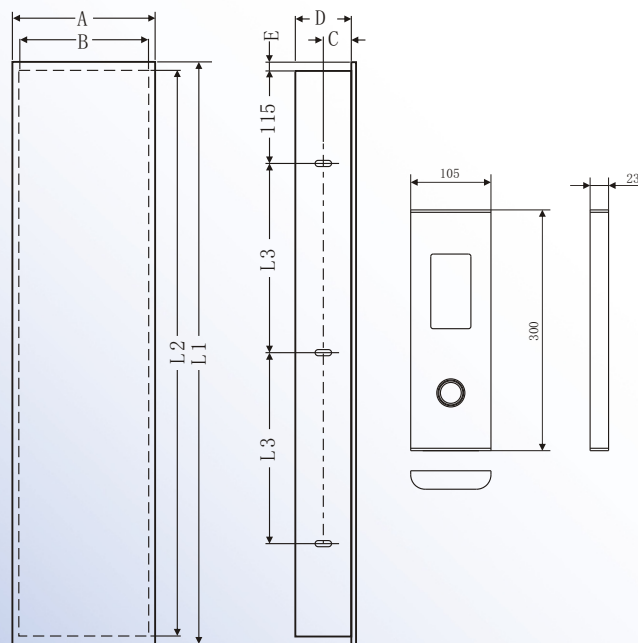


HCP64-B5

特点及规格 Feature & Specification

- 面板材料采用发纹不锈钢、镜面不锈钢等；
- 操纵盘采用超薄设计；
- 铰链开启式面板箱体连接机构，操纵盘可以更换铰链的组装位置实现操纵盘面板的左或右开启；
- 内部功能检修盒的检修门采用下拉式结构，侧开门或下翻式开门；
- 显示器的显示信号输入方式：七段码、BCD码、格雷码或二进制码；
- 按钮可选用FS系列，TNA系列、RLN系列、LG系列、MT系列、DSA系列、Md系列等。
- Faceplate: made of hairline finished stainless steel, mirror finished stainless steel and so on.
- The operating board is of super thin design.
- Hinged faceplate can be opened on the left or right, and the operating board can adjust the installation direction of hinge.
- Inspection door of inner inspection box to be opened on side-opening and turn-down type by using drop-down structure.
- Signal input of the display: seven segment code, BCD code, grey code and binary code.
- Various of push buttons for selection: FS series, TNA series, RLN series, LG series, MT series, DSA series, MD series and so on.

安装尺寸 Installation Dimensions



| Dim | A | B | C | D | E | L1 | L2 | L3 |
|-------|-----|-----|----|----|----|------|------|-----|
| STOPS | | | | | | | | |
| 2-12 | 200 | 180 | 30 | 65 | 40 | 1200 | 1140 | 455 |
| 13-22 | | | | | | 1400 | 1340 | 555 |
| 23-32 | | | | | | 1650 | 1590 | 680 |



HCP65



HHP65-B1



HHP65-B4

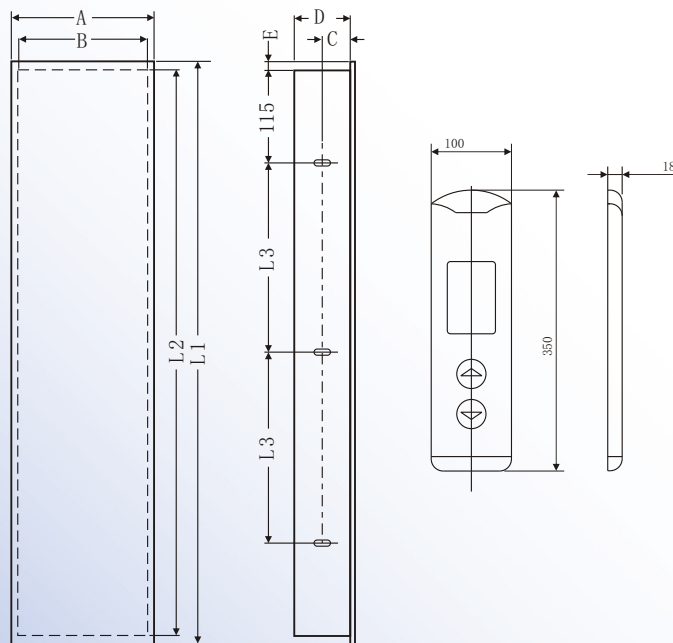


HHP84-A3

特点及规格 Feature & Specification

- 面板材料采用发纹不锈钢、镜面不锈钢面板等；
 - 操纵盘采用超薄设计，厚度仅18mm，设计采用专利技术；
 - 铰链开启式面板箱体连接机构，操纵盘可以更换铰链的组装位置实现操纵盘面板的左或右开启；
 - 内部功能检修盒的检修门采用下拉式结构，侧开门或下翻式开门；
 - 显示器的显示信号输入方式：七段码、BCD码、格雷码或二进制码；
 - 按钮可选用FS系列、FSA系列、RLN系列、LG系列、MT系列、TNA系列、DSA系列、MD系列等。
- Faceplate: made of hairline finished stainless steel, mirror finished stainless steel and so on.
 - The operating board is of super thin design, the thickness is only 18mm, by patent technique.
 - Hinged faceplate can be opened on the left or right, and the operating board can adjust the installation direction of hinge.
 - Inspection door of inner inspection box to be opened on side-opening and turn-down type by using drop-down structure.
 - Signal input of the display: seven segment code, BCD code, grey code and binary code.
 - Various of push buttons for selection: FS series, FSA series, RLN series, LG series, MT series, TNA series, DSA series, MD series and so on.

安装尺寸 Installation Dimensions



| Dim | A | B | C | D | E | L1 | L2 | L3 |
|-------|-----|-----|----|----|----|------|------|-----|
| STOPS | | | | | | | | |
| 2-12 | 180 | 160 | 30 | 65 | 20 | 1200 | 1160 | 465 |
| 13-22 | | | | | | 1400 | 1360 | 565 |
| 23-32 | | | | | | 1650 | 1610 | 690 |



HCP66

HHP66-C3

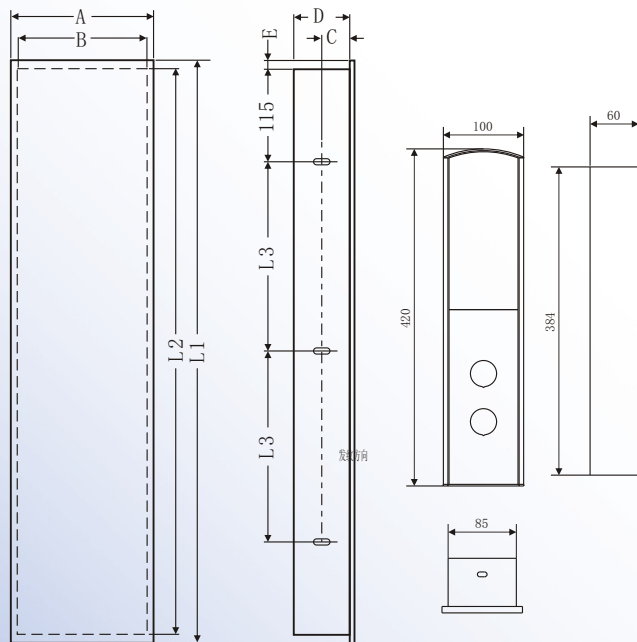
HHP66-A3

HHP66-B3

特点及规格 Feature & Specification

- 面板材料采用发纹不锈钢、镜面不锈钢、钛金不锈钢面板等；
 - 操纵盘可采用超薄设计，亦可配箱体使用；
 - 铰链开启式面板箱体连接机构，操纵盘可以更换铰链的组装位置实现操纵盘面板的左或右开启；
 - 内部功能检修盒的检修门采用下拉式结构，侧开门或下翻式开门；
 - 显示器的显示信号输入方式：七段码、BCD码、格雷码或二进制码；
 - 按钮可选用FS系列、FSA系列、TNA系列、LG系列、MT系列、RLN系列、DSA系列、MD系列等。
- Faceplate: made of hairline finished stainless steel, mirror finished stainless steel and so on.
 - Operating board of super thin design can be matched with box.
 - Hinged faceplate can be opened on the left or right, and the operating board can adjust the installation direction of hinge.
 - Inspection door of inner inspection box to be opened on side-opening and turn-down type by using drop-down structure.
 - Signal input of the display: seven segment code, BCD code, grey code and binary code.
 - Various of push buttons for selection: FS series, FSA series, RLN series, LG series, MT series, TNA series, DSA series, MD series and so on.

安装尺寸 Installation Dimensions



| Dim | A | B | C | D | E | L1 | L2 | L3 |
|-------|-----|-----|----|----|----|------|------|-----|
| STOPS | | | | | | | | |
| 2-12 | | | | | | 1200 | 1160 | 465 |
| 13-22 | 166 | 150 | 30 | 65 | 30 | 1400 | 1360 | 565 |
| 23-32 | | | | | | 1650 | 1610 | 690 |



HCP67

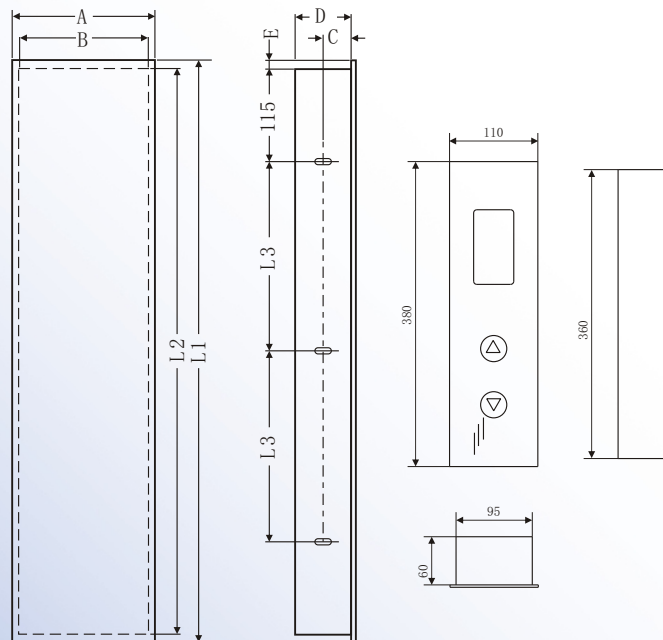
HHP67-E3

HHP67-A3

特点及规格 Feature & Specification

- 面板材料采用发纹不锈钢、镜面不锈钢、钛金不锈钢等；
 - 铰链开启式面板箱体连接机构，操纵盘可以更换铰链的组装位置实现操纵盘面板的左或右开启；
 - 内部功能检修盒的检修门采用下拉式结构，侧开门或下翻式开门；
 - 显示器的显示信号输入方式：七段码、BCD码、格雷码或二进制码；
 - 按钮可选用D系列，FSC系列、FSD系列、AS系列、MT系列、XF系列、MD系列等。
- Faceplate: made of hairline finished stainless steel, mirror finished stainless steel and so on.
 - Hinged faceplate can be opened on the left or right, and the operating board can adjust the installation direction of hinge.
 - Inspection door of inner inspection box to be opened on side-opening and turn-down type by using drop-down structure.
 - Signal input of the display: seven segment code, BCD code, grey code and binary code.
 - Various of push buttons for selection: D series, FSC series, FSD series, AS series, MT series, XF series, MD series and so on.

安装尺寸 Installation Dimensions



| Dim | A | B | C | D | E | L1 | L2 | L3 |
|-------|-----|-----|----|----|----|------|------|-----|
| STOPS | | | | | | | | |
| 2-12 | | | | | | 1200 | 1160 | 465 |
| 13-22 | 170 | 150 | 30 | 65 | 20 | 1400 | 1360 | 565 |
| 23-32 | | | | | | 1650 | 1610 | 690 |



HCP68-1

HCP68

HHP68-A3

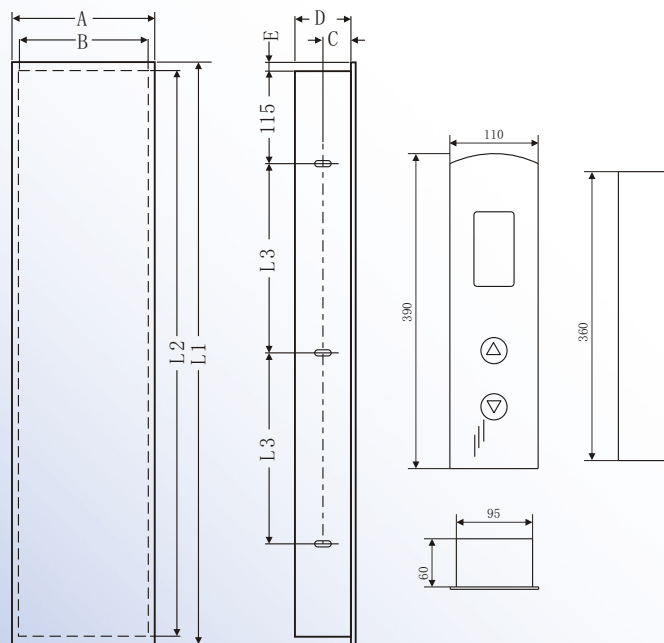


HHP68-B3

特点及规格 Feature & Specification

- 面板材料镜面不锈钢，中间或两侧发纹处理；
 - 铰链开启式面板箱体连接机构，操纵盘可以更换铰链的组装位置实现操纵盘面板的左或右开启；
 - 内部功能检修盒的检修门采用下拉式结构，侧开门或下翻式开门；
 - 显示器的显示信号输入方式：七段码、BCD码、格雷码或二进制码；
 - 按钮可选用FS系列，AS系列、TNA系列、LG系列、MT系列、DSA系列、RLN系列、MD系列等。
- Faceplate: mirror finished stainless steel , middle and two sides of it to be finished with hairline.
 - Hinged faceplate can be opened on the left or right, and the operating board can adjust the installation direction of hinge.
 - Inspection door of inner inspection box to be opened on side-opening and turn-down type by using drop-down structure.
 - Signal input of the display: seven segment code, BCD code, grey code and binary code.
 - Various of push buttons for selection: FS series, AS series, TNA series, LG series, MT series, DSA series, RLN series , MD series and so on.

安装尺寸 Installation Dimensions



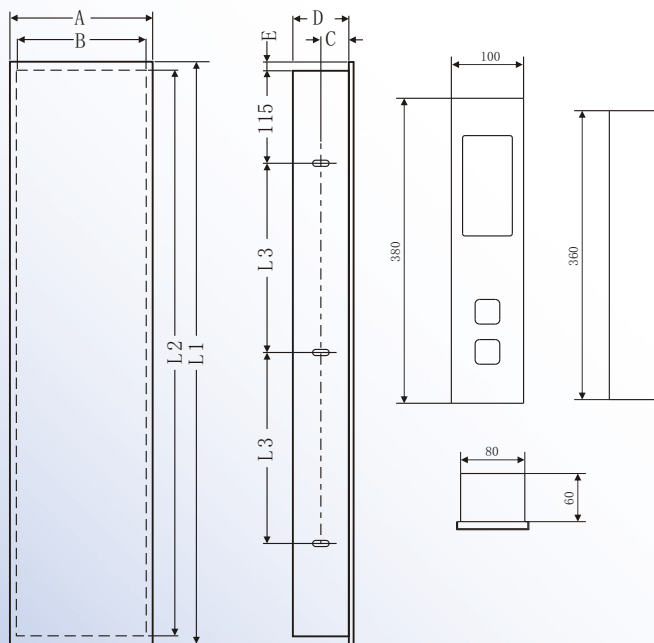
| Dim | A | B | C | D | E | L1 | L2 | L3 |
|-------|-----|-----|----|----|----|------|------|-----|
| STOPS | | | | | | | | |
| 2-12 | | | | | | 1200 | 1160 | 465 |
| 13-22 | 180 | 160 | 30 | 65 | 20 | 1400 | 1360 | 565 |
| 23-32 | | | | | | 1650 | 1610 | 690 |



特点及规格 Feature & Specification

- 面板材料采用发纹不锈钢、镜面不锈钢、钛金不锈钢涂面板等；
- 铰链开启式面板箱体连接机构，操纵盘可以更换铰链的组装位置实现操纵盘面板的左或右开启；
- 内部功能检修盒的检修门采用下拉式结构，侧开门或下翻式开门；
- 显示器的显示信号输入方式：七段码、BCD码、格雷码或二进制码；
- 按钮可选用D系列、DSA系列、RLN系列、AS系列、MT系列、TNA系列、MD系列等。
- Faceplate: made of hairline finished stainless steel, mirror finished stainless steel and so on.
- Hinged faceplate can be opened on the left or right, and the operating board can adjust the installation direction of hinge.
- Inspection door of inner inspection box to be opened on side-opening and turn-down type by using drop-down structure.
- Signal input of the display: seven segment code, BCD code, grey code and binary code.
- Various of push buttons for selection: D series, DSA series, RLN series, AS series, MT series, TNA series, MD series and so on.

安装尺寸 Installation Dimensions



| Dim | A | B | C | D | E | L1 | L2 | L3 |
|-------|-----|-----|----|----|----|------|------|-----|
| STOPS | | | | | | | | |
| 2-12 | | | | | | 1200 | 1160 | 465 |
| 13-22 | 170 | 150 | 30 | 65 | 20 | 1400 | 1360 | 565 |
| 23-32 | | | | | | 1650 | 1610 | 690 |



HCP70



HIP70-B50



HHP70-B3

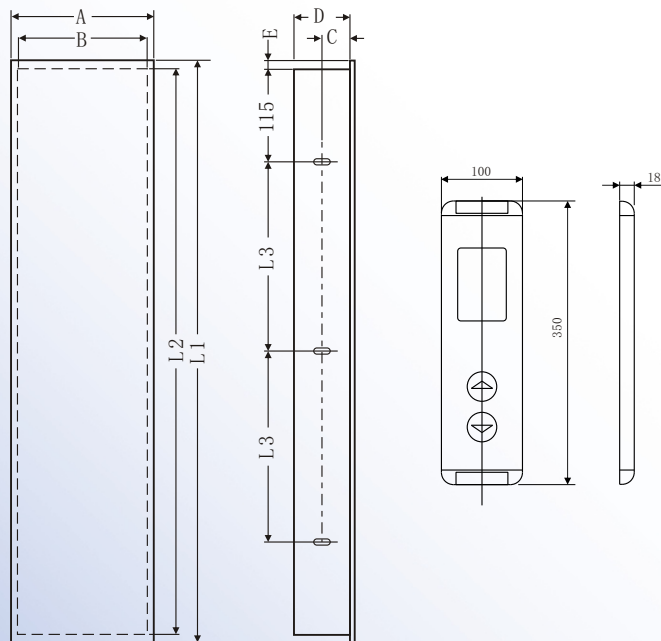


HHP70-A3

特点及规格 Feature & Specification

- 面板材料采用发纹不锈钢、镜面不锈钢等；
- 操纵盘采用超薄设计.厚度仅18mm, 设计采用专利技术；
- 铰链开启式面板箱体连接机构, 变换铰链的组装位置实现操纵盘面板的左或右开启；
- 内部功能检修盒的检修门采用下拉式结构, 侧开门或下翻式开门；
- 显示器的显示信号输入方式: 七段码、BCD码、格雷码或二进制码；
- 按钮可选用FS系列, TNA系列、DSA系列、LG系列、MT系列、RLN系列、MD系列等。
- Faceplate: made of hairline finished stainless steel, mirror finished stainless steel and so on.
- The operating board is of super thin design, the thickness is only 18mm, by patent technique.
- Hinged faceplate can be opened on the left or right, and the operating board can adjust the installation direction of hinge.
- Inspection door of inner inspection box to be opened on side-opening and turn-down type by using drop-down structure.
- Signal input of the display: seven segment code, BCD code, grey code and binary code.
- Various of push buttons for selection: FS series, TNA series, DSA series, LG series, MT series, RLN series, MD series and so on.

安装尺寸 Installation Dimensions



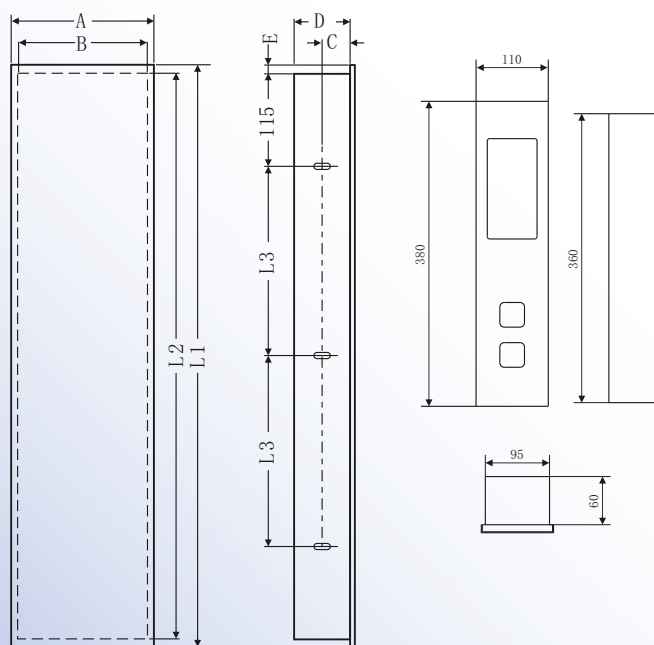
| Dim | A | B | C | D | E | L1 | L2 | L3 |
|-------|-----|-----|----|----|----|------|------|-----|
| STOPS | | | | | | | | |
| 2-12 | 180 | 160 | 30 | 65 | 20 | 1200 | 1160 | 465 |
| 13-22 | | | | | | 1400 | 1360 | 565 |
| 23-32 | | | | | | 1650 | 1610 | 690 |



特点及规格 Feature & Specification

- 不锈钢面板中间镶衬铁氟龙喷涂板或着色处理铝面板;
 - 铰链开启式面板箱体连接机构, 操纵盘可以更换铰链的组装位置实现操纵盘面板的左或右开启;
 - 内部功能检修盒的检修门采用下拉式结构, 不锈钢和铁氟龙喷涂的面板可选用侧开门或下翻式开门;
 - 显示器的显示信号输入方式: 七段码、BCD码、格雷码或二进制码;
 - 按钮可选用D系列, TH系列、RSA系列、MD系列、XF系列、FSC系列等。
- Spraying various of paint in the middle of faceplate for COP.
 - Hinged faceplate can be opened on the left or right direction.
 - Inspection box can be opened at downward direction, stainless steel and spray-paint steel can be opened side direction.
 - Signal input mode of the display: seven segment code, BCD code, Grey code or Binary code.
 - Various of push buttons for selection: D series, TH series, RSA series, MD series, XF series, FSC series, and so on.

安装尺寸 Installation Dimensions



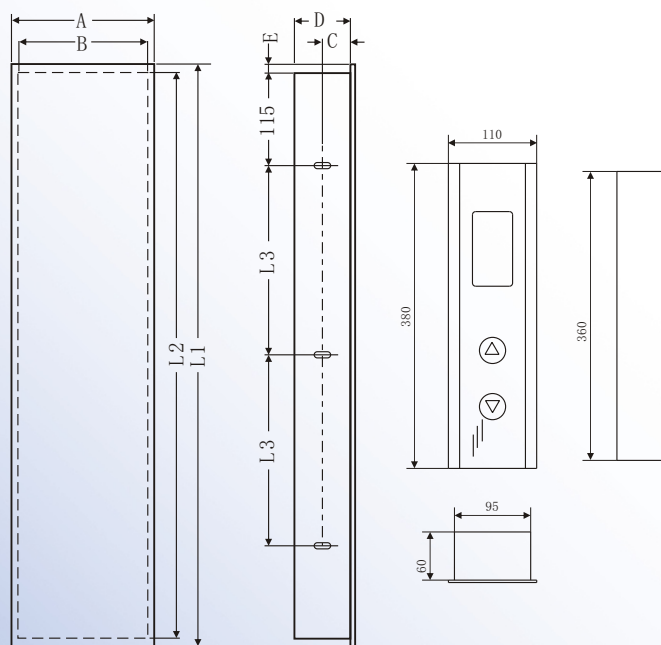
| Dim | A | B | C | D | E | L1 | L2 | L3 |
|-------|-----|-----|----|----|----|------|------|-----|
| STOPS | | | | | | | | |
| 2-12 | 180 | 160 | 30 | 65 | 20 | 1200 | 1160 | 465 |
| 13-22 | | | | | | 1400 | 1360 | 565 |



特点及规格 Feature & Specification

- 不锈钢、工程塑料或不锈钢拼块组合式面板，铝合金装饰型材镶边；
 - 操纵盘可采用超薄结构，厚度仅10mm；
 - 铰链开启式面板箱体连接机构，操纵盘可以更换铰链的组装位置实现操纵盘面板的左或右开启；
 - 内部功能检修盒的检修门采用下拉式结构，不锈钢和铁氟龙喷涂的面板可选用侧开门或下翻式开门；
 - 显示器的显示信号输入方式：七段码、BCD码、格雷码或二进制码；
 - 按钮可选用D系列、TNA系列、RSA系列、MD系列、RLN系列、DSA系列等。
- Faceplate: hairline stainless steel, plastic flashboards, pieces of stainless steel and aluminium alloy frame.
 - Thin type car operation panel (the whole thickness is only 10mm), it's design is patent technique.
 - Hinged faceplate can be opened on the left or right direction.
 - Inspection box can be opened at downward direction, stainless steel and spray-paint steel can be opened side direction.
 - Signal input mode of the display: seven segment code, BCD code, Grey code or Binary code.
 - Various of push buttons for selection: D series, TNA series, RSA series, MD series, RLN series, DSA series, and so on.

安装尺寸 Installation Dimensions



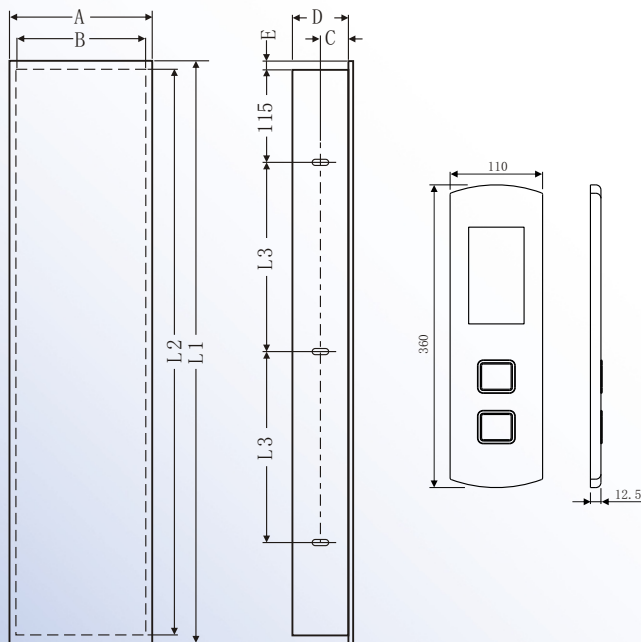
| Dim | A | B | C | D | E | L1 | L2 | L3 |
|-------|-----|-----|----|----|----|------|------|-----|
| STOPS | | | | | | | | |
| 2-12 | 176 | 160 | 30 | 65 | 10 | 1200 | 1180 | 475 |
| 13-22 | | | | | | 1400 | 1380 | 575 |



特点及规格 Feature & Specification

- 发纹不锈钢整体拉伸成型，超薄结构设计，可带底盒；
 - 铰链开启式面板盒体连接机构，操纵盘可以更换铰链的组装位置实现操纵盘面板的左或右开启；
 - 内部功能检修盒的检修门采用下拉式结构，不锈钢和铁氟龙喷涂的面板可选用侧开门或下翻式开门；
 - 显示器的显示信号输入方式：七段码、BCD码、格雷码或二进制码；
 - 按钮可选用MA系列，TN系列、TNA系列、MD系列、RLN系列、DSA系列等。
- Hairline stainless steel as a whole stretch forming for faceplate of COP, thin structural design. If the customer need, can be take the case;
 - Hinged faceplate can be opened on the left or right direction.
 - Inspection box can be opened at downward direction, stainless steel and spray-paint steel can be opened side direction.
 - Signal input mode of the display: seven segment code, BCD code, Grey code or Binary code.
 - Various of push buttons for selection: MA series, TN series, TNA series, MD series, RLN series, DSA series, and so on.

安装尺寸 Installation Dimensions



| Dim | A | B | C | D | E | L1 | L2 | L3 |
|-------|-----|-----|----|----|----|------|------|-----|
| STOPS | | | | | | | | |
| 2-12 | 200 | 180 | 30 | 65 | 25 | 1180 | 1130 | 425 |
| 13-22 | | | | | | 1350 | 1300 | 510 |



HCP51



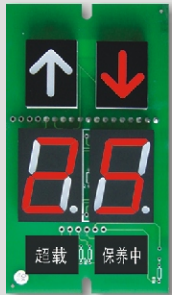
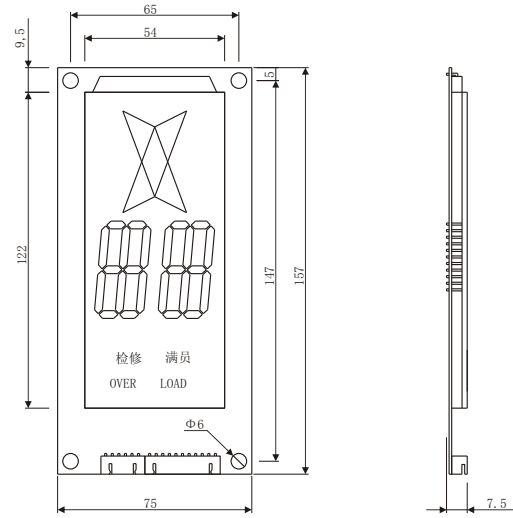
HCP52



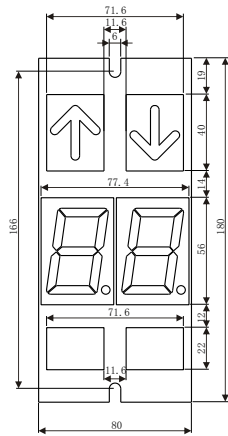
HCP54



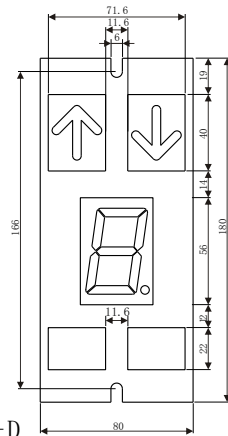
HQL-001



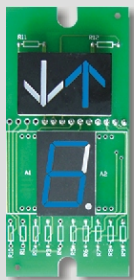
QDX-005



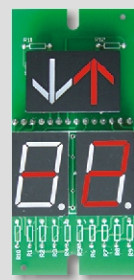
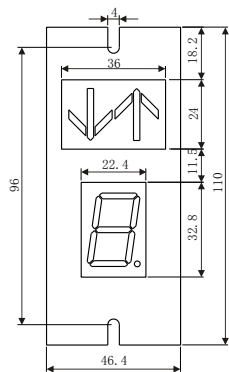
QDX-005-D



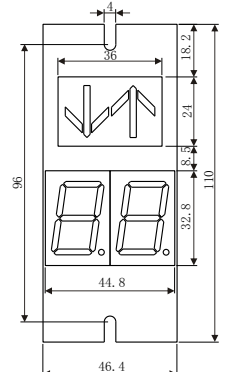
QDX-005-S

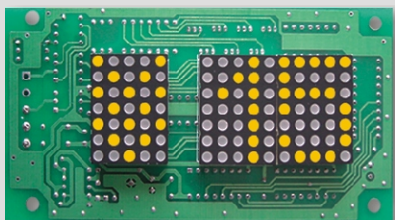


QDX-002

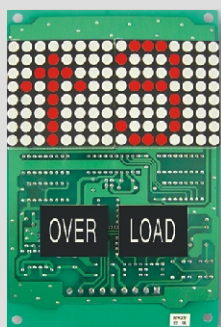
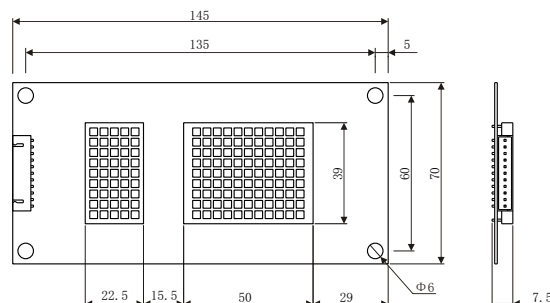


QDX-001

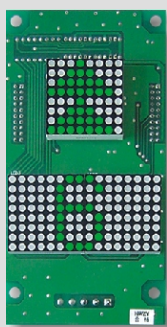
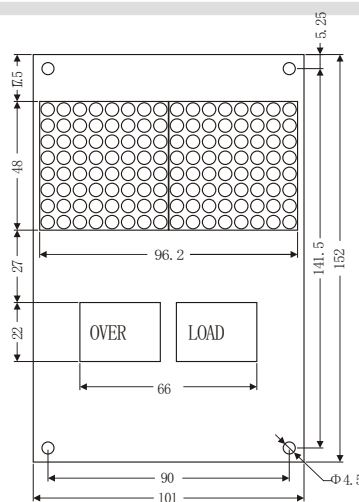




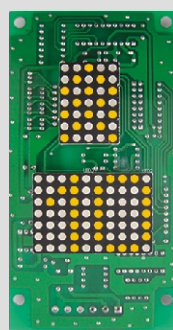
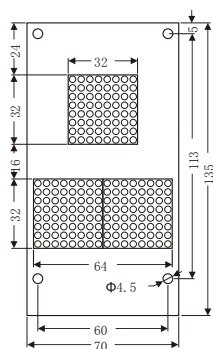
HDX-005



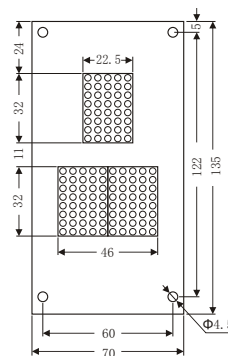
HDX-002

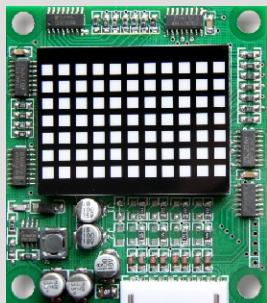


HDX-010

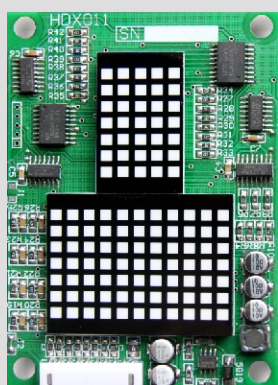
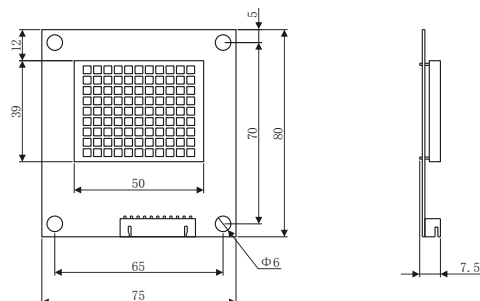


HDX-007

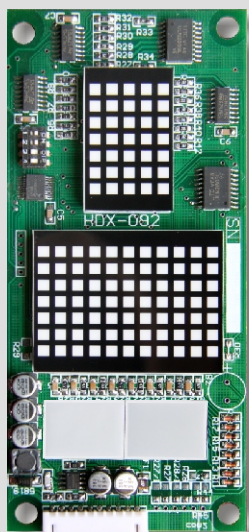
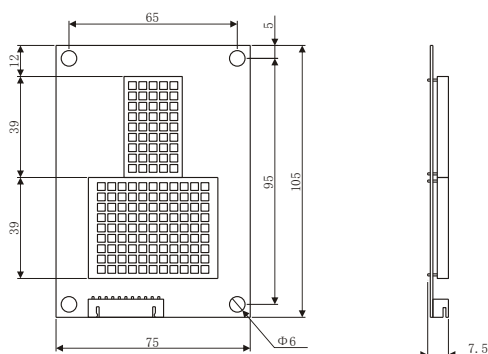




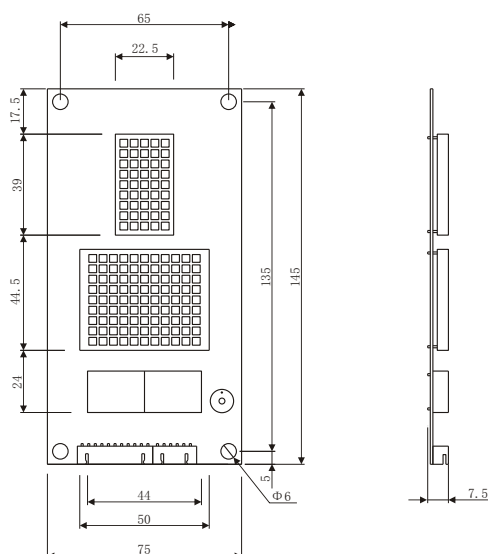
HDX-094



HDX-010

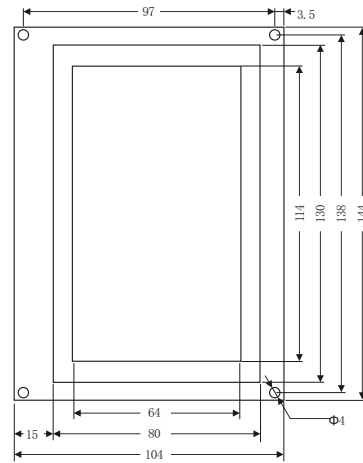


HDX-093

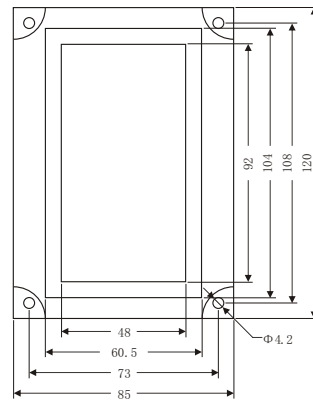




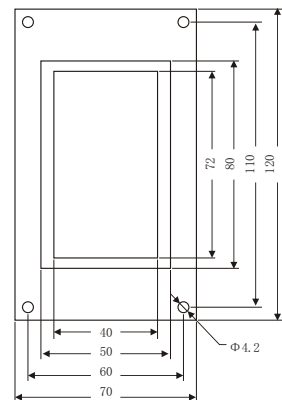
HLX-002



HLX-001



HLX-003





HYD-05



HYD-04



HYD-01



HYD-92 (10)



HIP42-B50



HYD-06



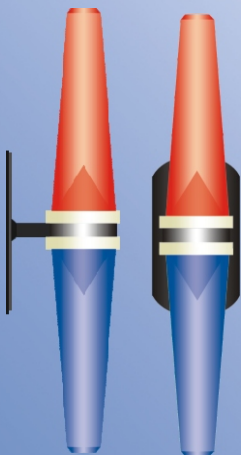
HYD-82



HYD-80



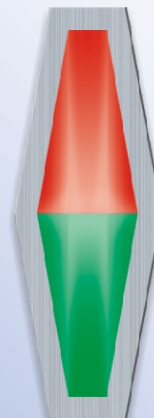
HYD-03



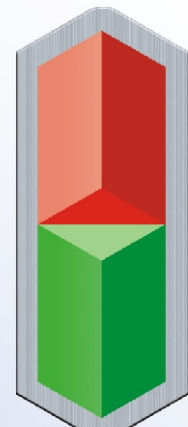
HYD-96



HYD-02



HYD-83



HYD-84



[HTTP://WWW.HUNTER98.COM](http://www.hunter98.com) 