

BA160系列 BA160 Series

特点 Feature

- 不锈钢装饰框，不锈钢字片；
- 轻触式微动开关；
- 安装面板厚度为2~3mm；
- 采用专用卡簧安装。
- Stainless out frame, Stainless chicklet;
- Touch switch;
- The thickness of installation plate: 2~3mm;
- Installed by special clipping.



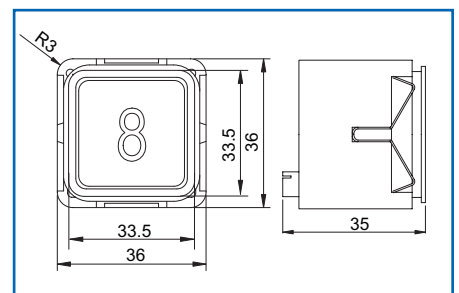
规格 Specification

- 按钮包括层站按钮、上下行按钮、开关门按钮、警铃按钮、对讲按钮等；
- 按钮发光颜色可选，如：
■ 红色 ■ 橙色 ■ 绿色 ■ 蓝色
- The buttons include landing button, door-open/close button, up and down button etc.;
- The illumination colour of button can include various LEDs.

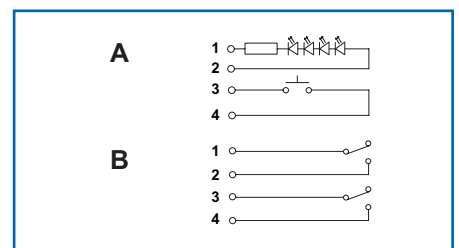
注：
层站、开关门、上下行按钮的电气原理A；
警铃、对讲按钮的电气原理B。

Remark:
For circuit diagram of stops, door-open/close, up and down buttons please refer to element diagram A;
For circuit diagram of alarm and intercom buttons please refer to element diagram B.

外形图 Figure(mm)



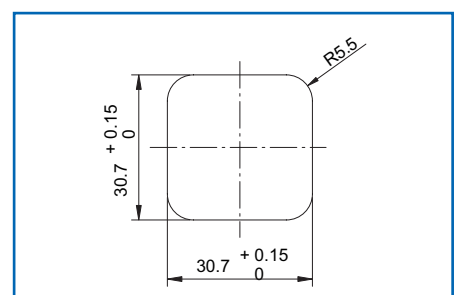
电路原理图 Circuit diagram



性能 Properties

电气性能 Electrical Properties	指示灯 Indication light	额定电压(可选) Rated Voltage(Optional)	AC12V、AC24V DC12V、DC24V
		额定电流 Rated Current	< 20 mA
	开关 Switch	额定电压 Rated Voltage	DC50V
		额定电流 Rated Current	50 mA
		接触电阻 Contact Resistance	< 100 mΩ
	绝缘电阻 Insulation Resistance	>100 MΩ	
机械性能 Mechanical Properties	动作行程 Operation Distance	0.4~0.6 mm	
	最大行程 Maximum Distance	1.2 mm	
	动作压力 Operation Pressure	3~6 N	
	寿命 Life-span	>500万次 >5 millions of operation	
使用环境 Operating Environment	使用温度 Operating Temperature	-10℃~50℃ (但不可结冰) -10℃~50℃ (no icing)	
	使用湿度 Operating Humidity	45%~90%	

安装尺寸 Mounting deminsions(mm)



BA180系列 BA180 Series

特点 Feature

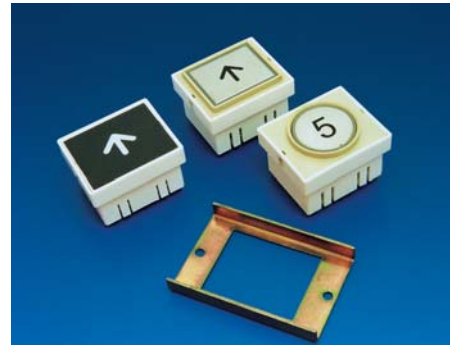
- 塑料或表面镀铬装饰框;
- 轻触式微动开关;
- 安装面板厚度为2~3mm;
- 配有专用金属安装架。
- Plastic or chrome-faced outer frame;
- Touch switch;
- The thickness fo installation plate:2~3mm;
- With special metal fixing frame.

规格 Specification

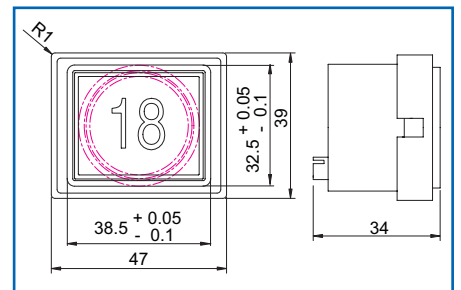
- 按钮包括层站按钮、上下行按钮、开关门按钮、警铃按钮、对讲按钮等;
- 按钮发光颜色可选，如：
■ 红色 ■ 橙色 ■ 绿色 ■ 蓝色
- The buttons include landing button, door-open/close button, up and down button etc.;
- The illumination colour of button can include various LEDs.

注：
 层站、开关门、上下行按钮(PC字片)的电气原理A;
 层站、开关门、上下行按钮(不锈钢字片)的电气原理B;
 警铃、对讲按钮的电气原理C。

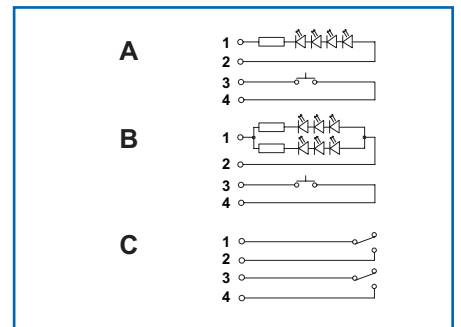
Remark:
 For circuit diagram of stops, door-open/close, up and down buttons with PC character sheet please refer to element diagram A;
 For circuit diagram of stops, door-open/close, up and down buttons with stainless steel character sheet please refer to element diagram B;
 For circuit diagram of alarm and intercom buttons please refer to element diagram C.



外形图 Figure(mm)



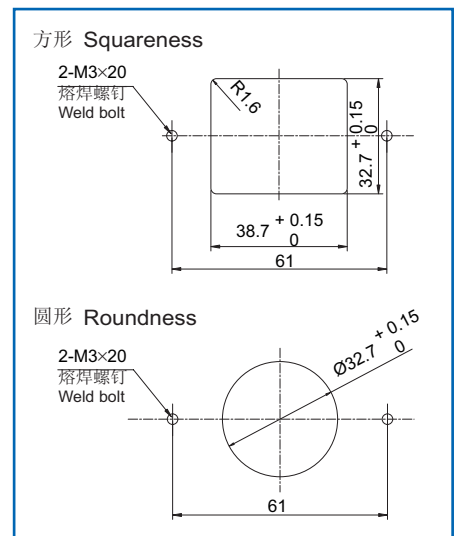
电路原理图 Circuit diagram



性能 Properties

电气性能 Electrical Properties	指示灯 Indication light	额定电压(可选) Rated Voltage(Optional)	AC12V、AC24V DC12V、DC24V
		额定电流 Rated Current	<20mA (PC字片/PC character sheet) <40mA (不锈钢字片/Stainless steel character sheet)
	开关 Switch	额定电压 Rated Voltage	DC30V
		额定电流 Rated Current	50 mA
接触电阻 Contact Resistance		< 100 m Ω	
		绝缘电阻 Insulation Resistance	>100 M Ω
机械性能 Mechanical Properties	动作行程 Operation Distance	0.5~1.2 mm	
	最大行程 Maximum Distance	1.2 mm	
	动作压力 Operation Pressure	2~4 N	
	寿命 Life-span	>100万次 >1 millions of operation	
使用环境 Operating Environment	使用温度 Operating Temperature	-10℃~50℃ (但不可结冰) -10℃~50℃ (no icing)	
	使用湿度 Operating Humidity	45%~90%	

安装尺寸 Mounting deminsions(mm)



BA200 系列 BA200 Series

特点 Feature

- 塑料或表面镀铬外框;
- 不锈钢或塑料字片;
- 轻触式微动开关;
- 适合安装在厚度为2~3mm的面板;
- 专用配套安装件, 安装维修方便。
- Plastic or chrome-faced outer frame;
- Stainless steel or ABS chicklet;
- Touch switch;
- The thickness fo installation plate:2~3mm;
- Using special fittings,easy for installation and maintenance.

规格 Specification

- 按钮包括层站按钮、上下行按钮、开关门按钮、警铃按钮、对讲按钮等;
- 按钮发光颜色可选, 如:
■ 红色 ■ 橙色 ■ 绿色 ■ 蓝色
- The buttons include landing button, door-open/close button, up and down button etc.;
- The illumination colour of button can include various LEDs.

注:

层站、开关门、上下行按钮的电气原理A;

不锈钢字片层站、开关门、上下行按钮的电气原理B;

警铃、对讲按钮的电气原理C。

Remark:

For circuit diagram of stops, door-open/close, up and down buttons with PC character sheet please refer to element diagram A;

For circuit diagram of stops, door-open/close, up and down buttons with stainless steel character sheet please refer to element diagram B;

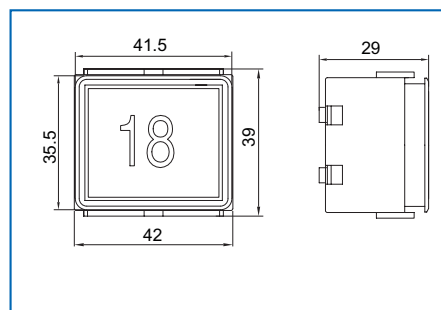
For circuit diagram of alarm and intercom buttons please refer to element diagram C.

性能 Properties

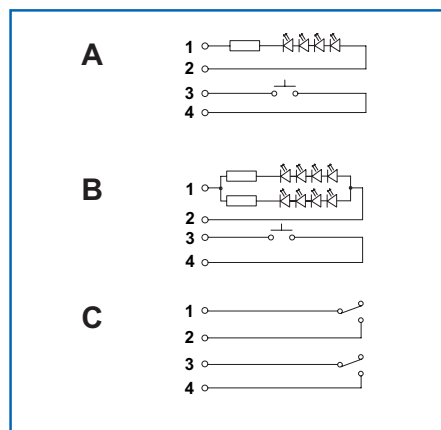
电气性能 Electrical Properties	指示灯 Indication light	额定电压(可选) Rated Voltage(Optional)	AC12V、AC24V DC12V、DC24V
		额定电流 Rated Current	<20mA (PC字片/PC character sheet) <40mA (不锈钢字片/ Stainless steel character sheet)
	开关 Switch	额定电压 Rated Voltage	DC30V
		额定电流 Rated Current	50 mA
		接触电阻 Contact Resistance	< 100 mΩ
	绝缘电阻 Insulation Resistance	>100 MΩ	
机械性能 Mechanical Properties	动作行程 Operation Distance	0.5~1.2 mm	
	最大行程 Maximum Distance	1.2 mm	
	动作压力 Operation Pressure	2~3.5 N	
	寿命 Life-span	>100万次 >1 millions of operation	
使用环境 Operating Environment	使用温度 Operating Temperature	-10℃~50℃ (但不可结冰) -10℃~50℃ (no icing)	
	使用湿度 Operating Humidity	45%~90%	



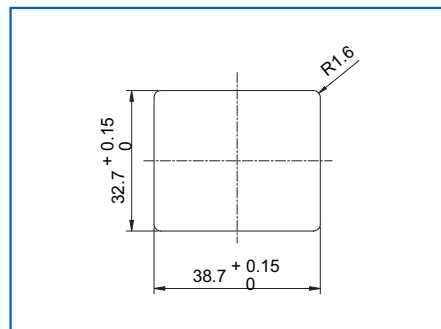
外形图 Figure(mm)



电路原理图 Circuit diagram



安装尺寸 Mounting deminsions(mm)



BA210系列 BA210 Series

特点 Feature

- 塑料或表面镀铬外框; ■ Plastic or chrome-faced outer frame;
- 塑料或不锈钢字片, 字片分平面形、凸形和凹形三种规格; ■ ABS or stainless steel chicklet, three types of chicklet surface: Flush, Protruding, Concave
- 轻触式微动开关; ■ Touch switch;
- 适合安装在厚度为2~3mm的面板; ■ The thickness of installation plate: 2~3mm;
- 专用配套安装件, 安装维修方便。 ■ Using special fittings, easy for installation and maintenance.

规格 Specification

- 按钮包括层站按钮、上下行按钮、开关门按钮、警铃按钮、对讲按钮等; ■ The buttons include landing button, door-open/close button, up and down button etc.;
- 按钮发光颜色可选, 如: ■ The illumination colour of button can include various LEDs.
■ 红色 ■ 橙色 ■ 绿色 ■ 蓝色

注:
层站、开关门、上下行按钮的电气原理A;
警铃、对讲按钮的电气原理B。

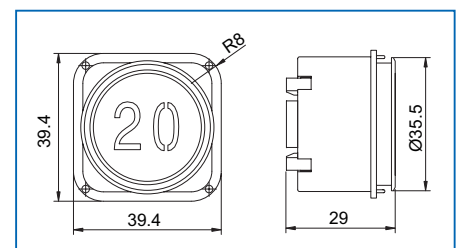
Remark:
For circuit diagram of stops, door-open/close, up and down buttons please refer to element diagram A;
For circuit diagram of alarm and intercom buttons please refer to element diagram B.

性能 Properties

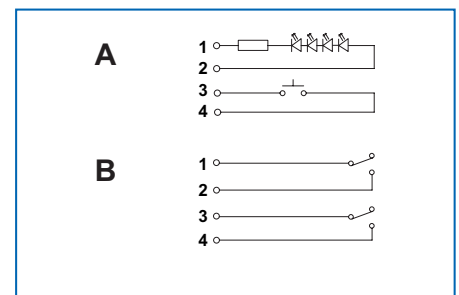
电气性能 Electrical Properties	指示灯 Indication light	额定电压(可选) Rated Voltage(Optional)	AC12V、AC24V DC12V、DC24V
		额定电流 Rated Current	<20mA (PC字片/PC character sheet) <40mA (不锈钢字片/Stainless steel character sheet)
	开关 Switch	额定电压 Rated Voltage	DC30V
		额定电流 Rated Current	50 mA
		接触电阻 Contact Resistance	< 100 mΩ
	绝缘电阻 Insulation Resistance	>100 MΩ	
机械性能 Mechanical Properties	动作行程 Operation Distance	0.5~1.2 mm	
	最大行程 Maximum Distance	1.2 mm	
	动作压力 Operation Pressure	2~3.5 N	
	寿命 Life-span	>100万次 >1 millions of operation	
使用环境 Operating Environment	使用温度 Operating Temperature	-10℃~50℃ (但不可结冰) -10℃~50℃ (no icing)	
	使用湿度 Operating Humidity	45%~90%	



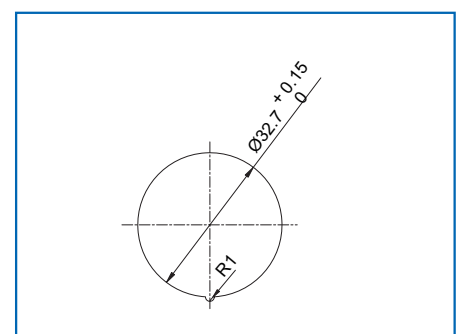
外形图 Figure(mm)



电路原理图 Circuit diagram



安装尺寸 Mounting deminsions(mm)



BA220系列 BA220 Series

特点 Feature

- 按钮表面采用双弧对称形设计;
- 表面镀铬外框;
- 不锈钢字片;
- 轻触式微动开关;
- 适合安装在厚度为2~3mm的面板;
- 专用配套安装件, 安装维修方便。
- Push button surface with twin-arced symmetrical design;
- Chrome-plated surface frame;
- Stainless steel chicklet;
- Touch switch;
- The thickness of installation plate:2~3mm;
- Using special fittings,easy for installation and maintenance.



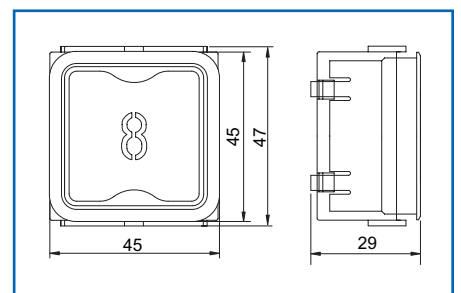
规格 Specification

- 按钮包括层站按钮、上下行按钮、开关门按钮、警铃按钮、对讲按钮等;
- 按钮发光颜色可选, 如:
■ 红色 ■ 橙色 ■ 绿色 ■ 蓝色
- The buttons include landing button, door-open/close button, up and down button etc.;
- The illumination colour of button can include various LEDs.

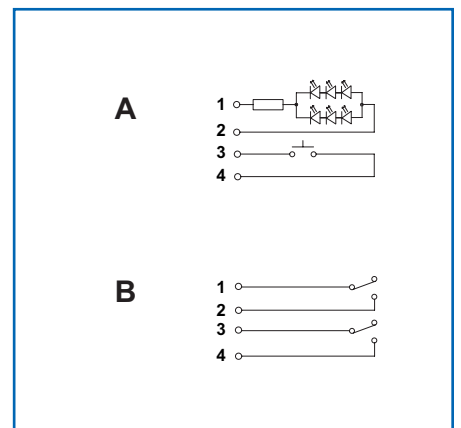
注:
层站、开关门、上下行按钮的电气原理A;
警铃、对讲按钮的电气原理B。

Remark:
For circuit diagram of stops, door-open/close, up and down buttons please refer to element diagram A;
For circuit diagram of alarm and intercom buttons please refer to element diagram B.

外形图 Figure(mm)



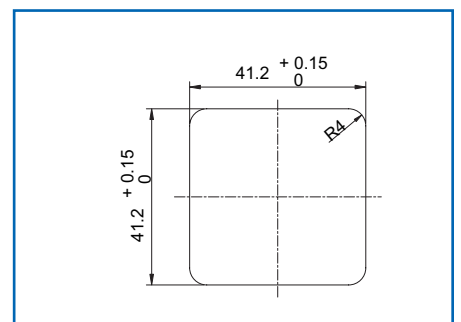
电路原理图 Circuit diagram



性能 Properties

电气性能 Electrical Properties	指示灯 Indication light	额定电压(可选) Rated Voltage(Optional)	AC12V、AC24V DC12V、DC24V
		额定电流 Rated Current	20mA~30mA
	开关 Switch	额定电压 Rated Voltage	DC30V
		额定电流 Rated Current	50mA
		接触电阻 Contact Resistance	< 100 mΩ
	绝缘电阻 Insulation Resistance	>100 MΩ	
机械性能 Mechanical Properties	动作行程 Operation Distance	0.4~0.8 mm	
	最大行程 Maximum Distance	1.2 mm	
	动作压力 Operation Pressure	2.5~6 N	
	寿命 Life-span	>100万次 >1 millions of operation	
使用环境 Operating Environment	使用温度 Operating Temperature	-10℃~50℃ (但不可结冰) -10℃~50℃ (no icing)	
	使用湿度 Operating Humidity	45%~90%	

安装尺寸 Mounting deminsions(mm)



BA230系列 BA230 Series

特点 Feature

- 按钮采用超薄形设计（20毫米）；
- 不锈钢装饰框、不锈钢字片；
- 安装面板厚度不大于3.5mm；
- 轻触式微动开关；
- 配有专用金属安装架。
- Super-thin design(20mm);
- Stainless outer frame, stainless chicklet;
- The thickness of installation plate up to 3.5mm;
- Touch switch;
- With special metal fixing frame.



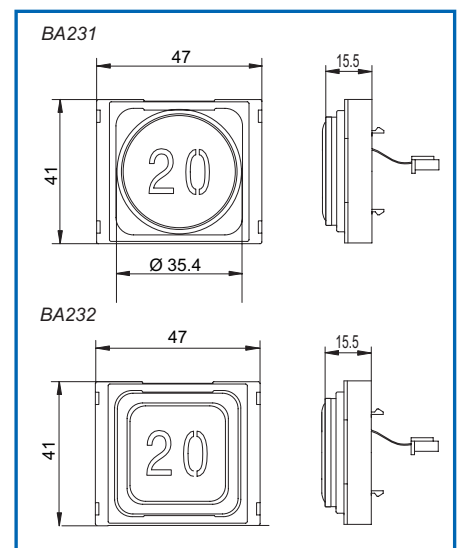
规格 Specification

- 按钮包括层站按钮、上下行按钮、开关门按钮、警铃按钮、对讲按钮等；
- 按钮发光颜色可选, 如:
■ 红色 ■ 橙色 ■ 绿色 ■ 蓝色
- The buttons include landing button, door-open/close button, up and down button etc.;
- The illumination colour of button can include various LEDs.

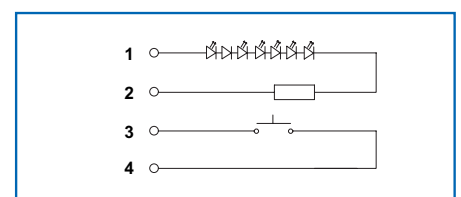
性能 Properties

电气性能 Electrical Properties	指示灯 Indication light	额定电压(可选) Rated Voltage(Optional)	AC12V、AC24V DC12V、DC24V
		额定电流 Rated Current	< 40 mA
	开关 Switch	额定电压 Rated Voltage	DC24V
		额定电流 Rated Current	25 mA
		接触电阻 Contact Resistance	< 50 mΩ
	绝缘电阻 Insulation Resistance	>100 MΩ	
机械性能 Mechanical Properties	动作行程 Operation Distance	0.8~1.2 mm	
	最大行程 Maximum Distance	1.2 mm	
	动作压力 Operation Pressure	1.3~2.3 N	
	寿命 Life-span	>300万次 >3 millions of operation	
使用环境 Operating Environment	使用温度 Operating Temperature	-10℃~50℃ (但不可结冰) -10℃~50℃ (no icing)	
	使用湿度 Operating Humidity	45%~90%	

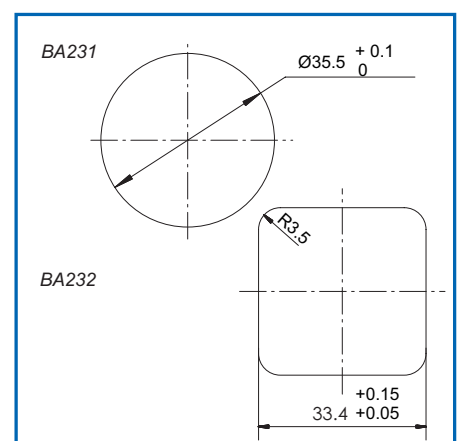
外形图 Figure(mm)



电路原理图 Circuit diagram



安装尺寸 Mounting deminsions(mm)



BA240系列 BA240 Series

特点 Feature

- 镀铬塑料外框，镀铬塑料字片；
- 轻触式微动开关；
- 安装面板厚度为2~3mm；
- 安装无需熔焊螺钉。
- Chrome-plated ABS outer frame and chicklet；
- Touch switch；
- The thickness of installation plate:2~3mm；
- Without welded bolt for installation.

规格 Specification

- 按钮包括层站按钮、上下行按钮、开关门按钮、警铃按钮、对讲按钮等；
- 按钮发光颜色可选，如：
■ 红色 ■ 橙色 ■ 绿色 ■ 蓝色
- The buttons include landing button, door-open/close button, up and down button etc.;
- The illumination colour of button can include various LEDs.

注：
层站、开关门、上下行按钮的电气原理A；
警铃、对讲按钮的电气原理B。

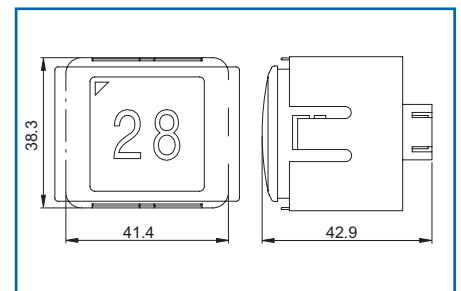
Remark:
For circuit diagram of stops, door-open/close, up and down buttons please refer to element diagram A;
For circuit diagram of alarm and intercom buttons please refer to element diagram B.

性能 Properties

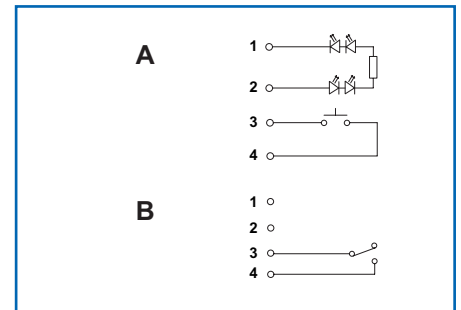
电气性能 Electrical Properties	指示灯 Indication light	额定电压(可选) Rated Voltage(Optional)	AC12V、AC24V DC12V、DC24V
		额定电流 Rated Current	<20mA
	开关 Switch	额定电压 Rated Voltage	DC30V
		额定电流 Rated Current	50 mA
		接触电阻 Contact Resistance	<100 mΩ
	绝缘电阻 Insulation Resistance	>100 MΩ	
机械性能 Mechanical Properties	动作行程 Operation Distance		0.3~0.7mm
	最大行程 Maximum Distance		1.2mm
	动作压力 Operation Pressure		3~6 N
	寿命 Life-span		>500万次 >5 millions of operation
使用环境 Operating Environment	使用温度 Operating Temperature		-10℃~50℃ (但不可结冰) -10℃~50℃ (no icing)
	使用湿度 Operating Humidity		45%~90%



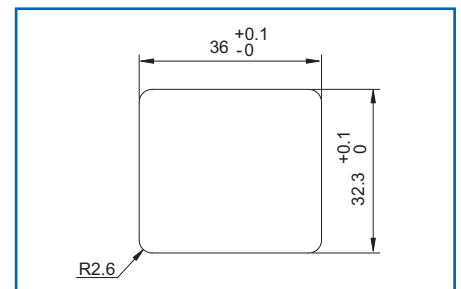
外形图 Figure(mm)



电路原理图 Circuit diagram



安装尺寸 Mounting deminsions(mm)



BA420系列 BA420 Series

特点 Feature

- 塑料外框;
- 不锈钢传动件, 面板厚度可任意选择;
- 选用轻触式微动开关;
- 采用旋钮固定安装;
- 薄型设计;
- 符合欧洲EN-81标准。
- ABS frame;
- Stainless steel transmitter.Face plate thickness for COP can be chosen;
- Touch switch;
- Fixed by knobs;
- Super-thin style design;
- In accordance with European standards EN-81.



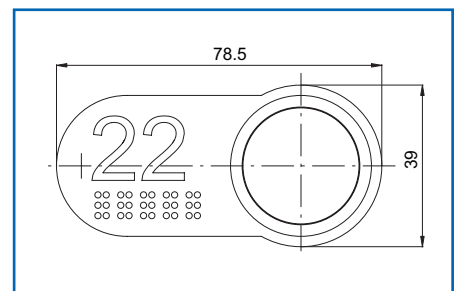
规格 Specification

- 按钮包括楼层按钮、开关门按钮、警铃按钮、风扇按钮等;
- 按钮发光颜色可选, 如:
 - 红色 ■ 黄绿色 ■ 绿色 ■ 蓝色
- The buttons include landing button, door-open/close button, alarm and fan buttons etc.;
- The lighting color of button can adopt red, yellow-green, green and blue so on.

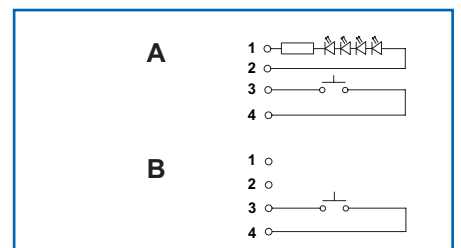
注:
层站、开关门、上下行按钮的电气原理A;
警铃、对讲按钮的电气原理B。

Remark:
For circuit diagram of stops, door-open/close, up and down buttons please refer to element diagram A;
For circuit diagram of alarm and intercom buttons please refer to element diagram B.

外形图 Figure(mm)



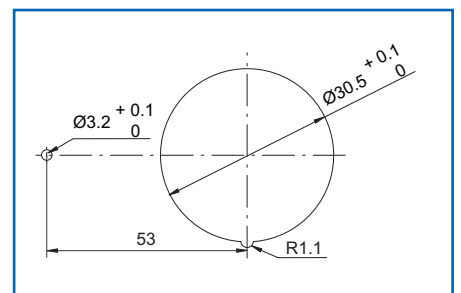
电路原理图 Circuit diagram



性能 Properties

电气性能 Electrical Properties	指示灯 Indication light	额定电压(可选) Rated Voltage(Optional)	AC12V, AC24V DC12V, DC24V
		额定电流 Rated Current	<20mA
	开关 Switch	额定电压 Rated Voltage	DC24V
		额定电流 Rated Current	50 mA
		接触电阻 Contact Resistance	<100 mΩ
	绝缘电阻 Insulation Resistance	>100 MΩ	
机械性能 Mechanical Properties	动作行程 Operation Distance	0.2~0.8mm	
	最大行程 Maximum Distance	1mm	
	动作压力 Operation Pressure	2~6 N	
	寿命 Life-span	>1000万次 >10 millions of operation	
使用环境 Operating Environment	使用温度 Operating Temperature	-10℃~50℃ (但不可结冰) -10℃~50℃ (no icing)	
	使用湿度 Operating Humidity	45%~90%	

安装尺寸 Mounting deminsions(mm)



BA461 BA461

特点 Feature

- 塑料外框，颜色可选择；
- 安装面板厚度2~3mm；
- 采用卡钩式安装；
- 按钮左上角发光；
- 选用轻触式微动开关；
- 超薄型设计。
- ABS frame, optional color;
- The thickness of installation plate: 2~3mm;
- Fixed by clipped spring;
- LED illumination in the up-left corner of push button;
- Touch switch;
- Super-thin style design.

规格 Specification

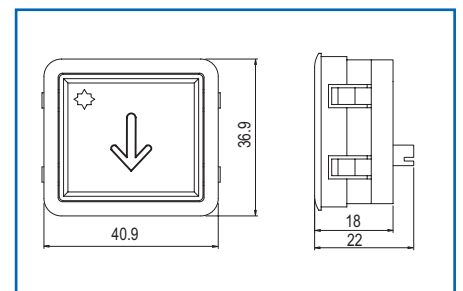
- 按钮包括楼层按钮、开关门按钮、警铃按钮、风扇按钮等；
- 按钮发光颜色可选，如：
 - 红色
 - 黄绿色
 - 绿色
 - 蓝色
- The buttons include landing button, door-open/close button, alarm and fan buttons etc.;
- The lighting color of button can adopt red, yellow-green, green and blue so on.

注：
 层站、开关门、上下行按钮的电气原理A；
 警铃、对讲按钮的电气原理B。

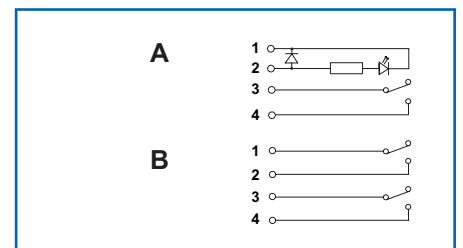
Remark:
 For circuit diagram of stops, door-open/close, up and down buttons please refer to element diagram A;
 For circuit diagram of alarm and intercom buttons please refer to element diagram B.



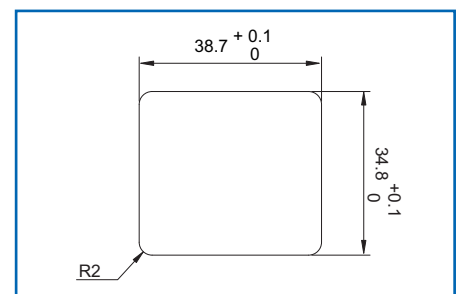
外形图 Figure(mm)



电路原理图 Circuit diagram



安装尺寸 Mounting deminsions(mm)



性能 Properties

电气性能 Electrical Properties	指示灯 Indication light	额定电压(可选) Rated Voltage(Optional)	AC12V, AC24V DC12V, DC24V
		额定电流 Rated Current	<20mA
	开关 Switch	额定电压 Rated Voltage	DC24V
		额定电流 Rated Current	50 mA
		接触电阻 Contact Resistance	<100 mΩ
	绝缘电阻 Insulation Resistance	>100 MΩ	
机械性能 Mechanical Properties	动作行程 Operation Distance	0.3~0.6mm	
	最大行程 Maximum Distance	1.2mm	
	动作压力 Operation Pressure	2~4 N	
	寿命 Life-span	>100万次 >1 millions of operation	
使用环境 Operating Environment	使用温度 Operating Temperature	-10℃~50℃ (但不可结冰) -10℃~50℃ (no icing)	
	使用湿度 Operating Humidity	45%~90%	

BA471 BA471

特点 Feature

- 塑料或镀铬外框;
- 不锈钢透光字片;
- 安装面板厚度为2~3mm;
- 选用轻触式微动开关;
- 采用二点固定的安装方式;
- 指令有效和无效通过颜色和光强进行区分。
- ABS or chrome-faced outer frame;
- Stainless steel illuminating chicklet;
- The thickness of installation plate:2~3mm;
- Touch switch;
- Installation mode of being fixed on two points;
- Whether or not is distinguished by color and light strength.

规格 Specification

- 按钮包括楼层按钮、上下行按钮、开关门按钮、警铃按钮、对讲按钮等;
- 按钮发光颜色可选, 如:
■ 红框绿字 ■ 红框蓝字
■ 红框黄绿字
- The buttons include landing button, door-open/close button, alarm and fan buttons etc.;
- The lighting color of button can adopt red frame with green, red frame with blue, red frame with green-yellow

注:
 共阴时, 层站、开关门、上下行按钮的电气原理A;
 共阳时, 层站、开关门、上下行按钮的电气原理B;
 警铃、对讲按钮的电气原理C。

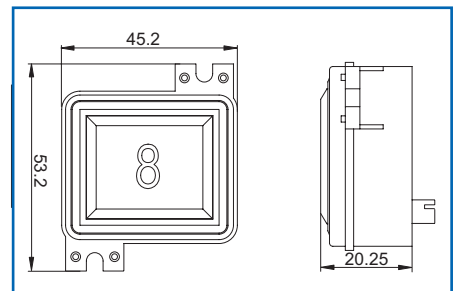
Remark:
 For circuit diagram of stops, door-open/close, up and down buttons please refer to element diagram A;
 For circuit diagram of alarm and intercom buttons please refer to element diagram B.

性能 Properties

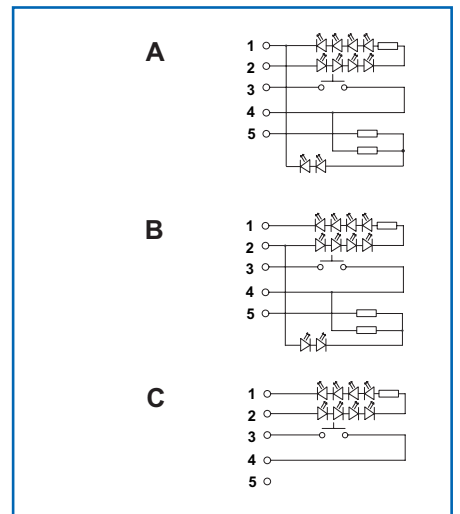
电气性能 Electrical Properties	指示灯 Indication light	额定电压(可选) Rated Voltage(Optional)	AC12V, AC24V DC12V, DC24V
		额定电流 Rated Current	<20mA
	开关 Switch	额定电压 Rated Voltage	DC50V
		额定电流 Rated Current	50 mA
		接触电阻 Contact Resistance	<100 mΩ
	绝缘电阻 Insulation Resistance	>100 MΩ	
机械性能 Mechanical Properties	动作行程 Operation Distance	0.2~1mm	
	最大行程 Maximum Distance	1mm	
	动作压力 Operation Pressure	2~6 N	
	寿命 Life-span	>500万次 >5 millions of operation	
使用环境 Operating Environment	使用温度 Operating Temperature	-10℃~50℃ (但不可结冰) -10℃~50℃ (no icing)	
	使用湿度 Operating Humidity	45%~90%	



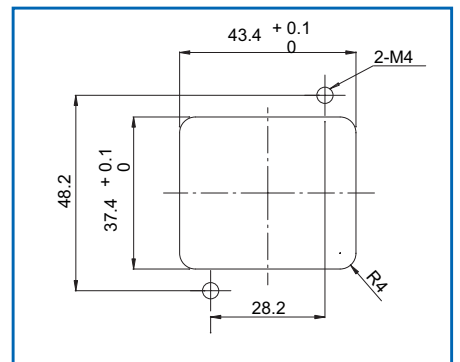
外形图 Figure(mm)



电路原理图 Circuit diagram



安装尺寸 Mounting deminsions(mm)



KA100系列 (KA101) KA100 Series (KA101)

特点 Feature

- ABS装饰框, 透明PC材料的按键, 表面黑色丝网印刷;
- 轻触式微动开关;
- 适合安装在厚度为2~3mm的面板;
- 专用配套安装件, 安装维修方便。
- ABS outer frame, key-press of transparent PC, and the surface is printed with black silk-screen;
- Touch switch;
- The thickness of installation plate: 2~3mm;
- Using special fittings, easy for installation and maintenance.



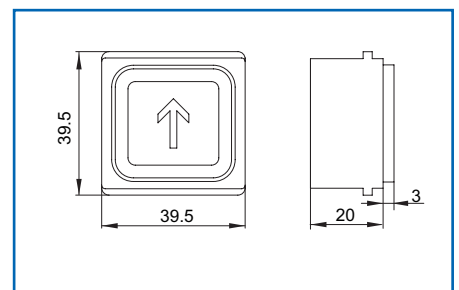
规格 Specification

- 按钮包括层站按钮、上下行按钮、开关门按钮、警铃按钮、对讲按钮等;
- 按钮发光颜色可选, 如:
■ 红色 ■ 橙色 ■ 绿色 ■ 蓝色
- The buttons include landing button, door-open/close button, up and down button etc.;
- The illumination colour of button can include various LEDs.

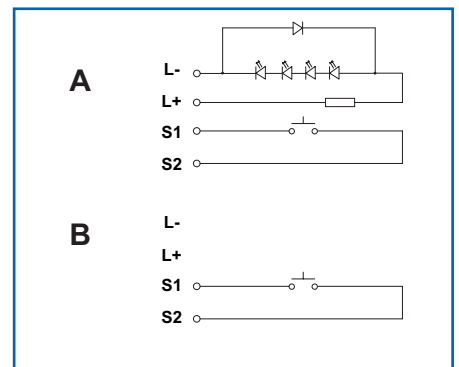
注:
层站、开关门、上下行按钮的电气原理A;
警铃、对讲按钮的电气原理B。

Remark:
For circuit diagram of stops, door-open/close, up and down buttons please refer to element diagram A;
For circuit diagram of alarm and intercom buttons please refer to element diagram B.

外形图 Figure(mm)



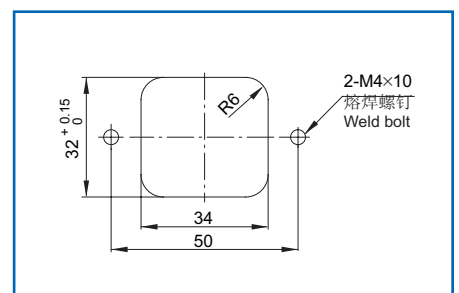
电路原理图 Circuit diagram



性能 Properties

电气性能 Electrical Properties	指示灯 Indication light	额定电压(可选) Rated Voltage(Optional)	AC24V or DC24V
		额定电流 Rated Current	< 20 mA
	开关 Switch	额定电压 Rated Voltage	DC30V
		额定电流 Rated Current	50 mA
		接触电阻 Contact Resistance	< 100 mΩ
	绝缘电阻 Insulation Resistance	>100 MΩ	
机械性能 Mechanical Properties	动作行程 Operation Distance	0.2~0.5 mm	
	最大行程 Maximum Distance	0.7 mm	
	动作压力 Operation Pressure	2~3 N	
	寿命 Life-span	>300万次 >3 millions of operation	
使用环境 Operating Environment	使用温度 Operating Temperature	-10℃~50℃ (但不可结冰) -10℃~50℃ (no icing)	
	使用湿度 Operating Humidity	45%~90%	

安装尺寸 Mounting deminsions(mm)



KA100系列 (KA102) KA100 Series (KA102)

特点 Feature

- ABS装饰框, 透明PC材料的按键, 黑色丝网印刷;
- 轻触式微动开关;
- 适合安装在厚度为3mm的面板。
- ABS out frame, key-press of transparent PC, and the surface is printed with black silk-screen;
- Touch switch;
- The thickness of installation plate: 2~3mm.



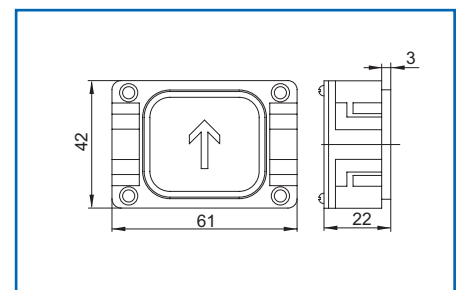
规格 Specification

- 按钮包括层站按钮、上下行按钮、开关门按钮、警铃按钮、对讲按钮等;
- 按钮发光颜色可选, 如:
■ 红色 ■ 橙色 ■ 绿色 ■ 蓝色
- The buttons include landing button, door-open/close button, up and down button etc.;
- The illumination colour of button can include various LEDs.

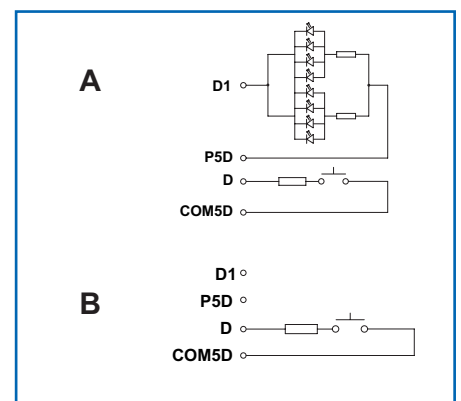
注:
层站、开关门、上下行按钮的电气原理A;
警铃、对讲按钮的电气原理B.

Remark:
For circuit diagram of stops, door-open/close, up and down buttons please refer to element diagram A;
For circuit diagram of alarm and intercom buttons please refer to element diagram B.

外形图 Figure(mm)



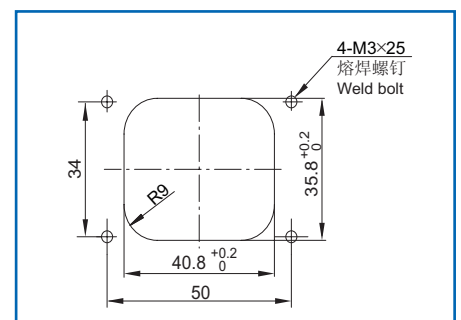
电路原理图 Circuit diagram



性能 Properties

电气性能 Electrical Properties	指示灯 Indication light	额定电压(可选) Rated Voltage(Optional)	AC5V、AC12V、AC24V DC5V、DC12V、DC24V
		额定电流 Rated Current	< 120 mA
	开关 Switch	额定电压 Rated Voltage	DC24V
		额定电流 Rated Current	50 mA
		接触电阻 Contact Resistance	< 100 mΩ
	绝缘电阻 Insulation Resistance	>100 MΩ	
机械性能 Mechanical Properties	动作行程 Operation Distance	0.3~0.6 mm	
	最大行程 Maximum Distance	0.8 mm	
	动作压力 Operation Pressure	2~3 N	
	寿命 Life-span	>300万次 >3 millions of operation	
使用环境 Operating Environment	使用温度 Operating Temperature	-10℃~50℃ (但不可结冰) -10℃~50℃ (no icing)	
	使用湿度 Operating Humidity	20%~90%	

安装尺寸 Mounting deminsions(mm)



KA120系列 KA120 Series

特点 Feature

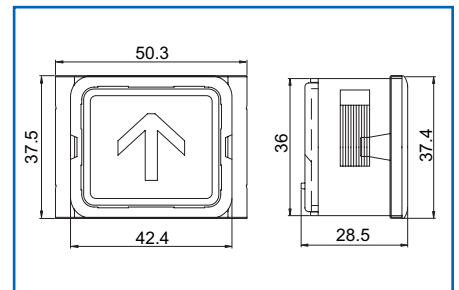
- 塑料外框，塑料字片；
- 采用四点金属触片开关；
- 安装面板厚度为2~3mm；
- 有配套的不锈钢安装片。
- Plastic outer frame, plastic chicklet;
- Metal touch plate switch with four contact points;
- The thickness of installation plate: 2~3mm;
- Matched stainless steel installation piece.



规格 Specification

- 按钮包括层站按钮、上下行按钮、开关门按钮、警铃按钮、对讲按钮等；
- 按钮发光颜色可选，如：
■ 红色 ■ 橙色 ■ 绿色 ■ 蓝色
- The buttons include landing button, door-open/close button, up and down button etc.;
- The illumination colour of button can include various LEDs.

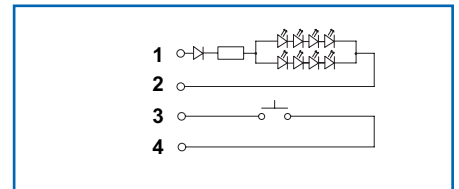
外形图 Figure(mm)



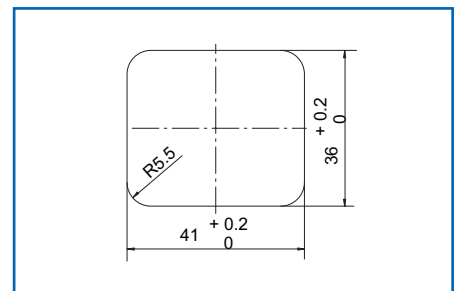
性能 Properties

电气性能 Electrical Properties	指示灯 Indication light	额定电压(可选) Rated Voltage(Optional)	AC24V or DC24V
		额定电流 Rated Current	< 40 mA
	开关 Switch	额定电压 Rated Voltage	DC30V
		额定电流 Rated Current	50 mA
		接触电阻 Contact Resistance	≤ 100 mΩ
	绝缘电阻 Insulation Resistance	> 100 MΩ	
机械性能 Mechanical Properties	动作行程 Operation Distance	0.5~0.8 mm	
	最大行程 Maximum Distance	1 mm	
	动作压力 Operation Pressure	1.5~3 N	
	寿命 Life-span	> 300万次 > 3 millions of operation	
使用环境 Operating Environment	使用温度 Operating Temperature	-10℃~50℃ (但不可结冰) -10℃~50℃ (no icing)	
	使用湿度 Operating Humidity	25%~90%	

电路原理图 Circuit diagram



安装尺寸 Mounting deminsions(mm)



KA130系列 KA130 Series

特点 Feature

- 按钮表面采用双弧对称形设计; ■ Push button surface with twin-arc symmetrical design;
- 表面镀铬外框; ■ Chrome-faced outer frame, stainless chicklet;
- 不锈钢字片; ■ Touch switch;
- 轻触式微动开关; ■ The thickness of installation plate: 2~3mm;
- 适合安装在厚度为2~3mm的面板; ■ Using special fittings, easy for installation and maintenance.
- 专用配套安装件, 安装维修方便。



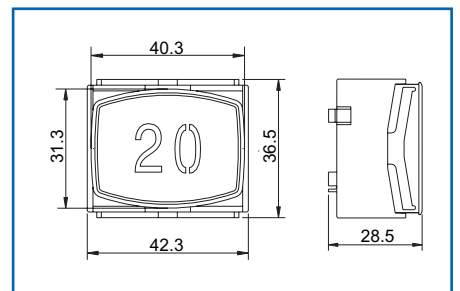
规格 Specification

- 按钮包括层站按钮、上下行按钮、开关门按钮、警铃按钮、对讲按钮等; ■ The buttons include landing button, door-open/close button, up and down button etc.;
- 按钮发光颜色可选, 如: ■ The illumination colour of button can include various LEDs.
 - 红色 ■ 橙色 ■ 绿色 ■ 蓝色

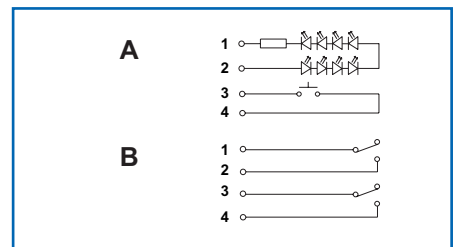
注:
层站、开关门、上下行按钮的电气原理A;
警铃、对讲按钮的电气原理B。

Remark:
For circuit diagram of stops, door-open/close, up and down buttons please refer to element diagram A;
For circuit diagram of alarm and intercom buttons please refer to element diagram B.

外形图 Figure(mm)



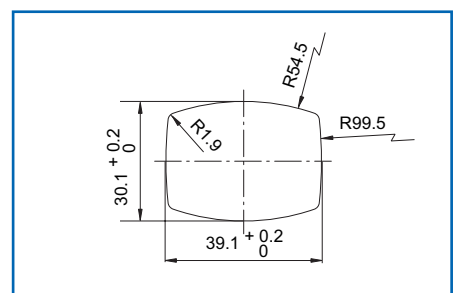
电路原理图 Circuit diagram



性能 Properties

电气性能 Electrical Properties	指示灯 Indication light	额定电压(可选) Rated Voltage(Optional)	DC24V or AC24V
		额定电流 Rated Current	<40mA
	开关 Switch	额定电压 Rated Voltage	DC24V
		额定电流 Rated Current	25 mA
		接触电阻 Contact Resistance	<100 mΩ
	绝缘电阻 Insulation Resistance	>100 MΩ	
机械性能 Mechanical Properties	动作行程 Operation Distance	0.4~0.65mm	
	最大行程 Maximum Distance	1.2mm	
	动作压力 Operation Pressure	1.2~3 N	
	寿命 Life-span	>300万次 >3 millions of operation	
使用环境 Operating Environment	使用温度 Operating Temperature	-10℃~50℃ (但不可结冰) -10℃~50℃ (no icing)	
	使用湿度 Operating Humidity	20%~90%	

安装尺寸 Mounting deminsions(mm)



KA200系列 KA200 Series

特点 Feature

- 塑料装饰框, 不锈钢或塑料字片; ■ Plastic decoration frame, stainless steel or plastic chicklet;
- 安装面板厚度2~3mm; ■ The thickness of installation plate: 2~3mm;
- 采用轻触式微动开关; ■ Touch switch;
- 有配套金属安装架。 ■ With special metal fixing frame.

规格 Specification

- 按钮包括层站按钮、上下行按钮、开关门按钮、警铃按钮、对讲按钮等; ■ The buttons include landing button, door-open/close button, up and down button etc.;
- 按钮发光颜色可选, 如: ■ The illumination colour of button can include various LEDs.
■ 红色 ■ 橙色

注:
层站、开关门、上下行按钮的电气原理A;
警铃、对讲按钮的电气原理B。

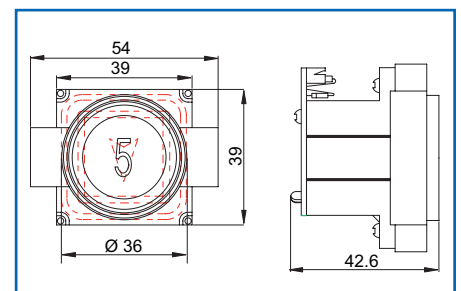
Remark:
For circuit diagram of stops, door-open/close, up and down buttons please refer to element diagram A;
For circuit diagram of alarm and intercom buttons please refer to element diagram B.

性能 Properties

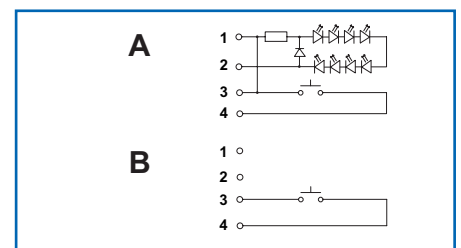
电气性能 Electrical Properties	指示灯 Indication light	额定电压(可选) Rated Voltage(Optional)	AC24V、DC24V
		额定电流 Rated Current	< 40 mA
	开关 Switch	额定电压 Rated Voltage	DC30V
		额定电流 Rated Current	50 mA
		接触电阻 Contact Resistance	< 100 mΩ
	绝缘电阻 Insulation Resistance	> 100 MΩ	
机械性能 Mechanical Properties	动作行程 Operation Distance	0.5 mm	
	最大行程 Maximum Distance	0.6 mm	
	动作压力 Operation Pressure	2.5~6 N	
	寿命 Life-span	> 1000万次 > 10 millions of operation	
使用环境 Operating Environment	使用温度 Operating Temperature	-10℃~50℃ (但不可结冰) -10℃~50℃ (no icing)	
	使用湿度 Operating Humidity	45%~90%	



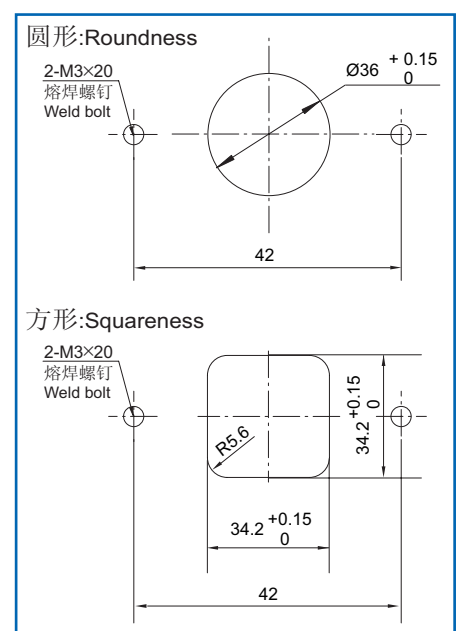
外形图 Figure(mm)



电路原理图 Circuit diagram



安装尺寸 Mounting deminsions(mm)



KA300系列 KA300 Series

特点 Feature

- 不锈钢装饰框，磨砂不锈钢按键；
- 安装面板厚度为2~3mm；
- 按钮安装简单，只需直接嵌入面板，无需任何配套部件。
- Stainless steel decoration frame, ground stainless steel key-press;
- The thickness of installation plate: 2~3mm;
- Easy to fix with embedding the faceplate directly.

规格 Specification

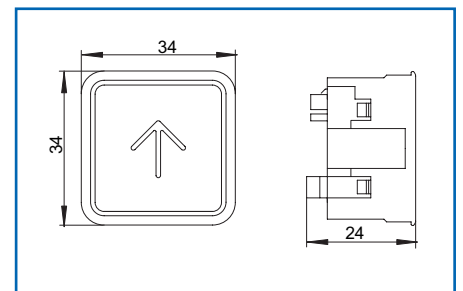
- 按钮包括层站按钮、上下行按钮、开关门按钮、警铃按钮、对讲按钮等；
- 按钮发光颜色可选，如：
■ 红色 ■ 橙色 ■ 绿色 ■ 蓝色
- The buttons include landing button, door-open/close button, up and down button etc.;
- The illumination colour of button can include various LEDs.

注：
层站、开关门、上下行按钮的电气原理A；
警铃、对讲按钮的电气原理B。

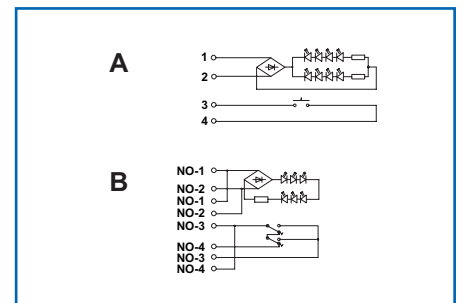
Remark:
For circuit diagram of stops, door-open/close, up and down buttons please refer to element diagram A;
For circuit diagram of alarm and intercom buttons please refer to element diagram B.



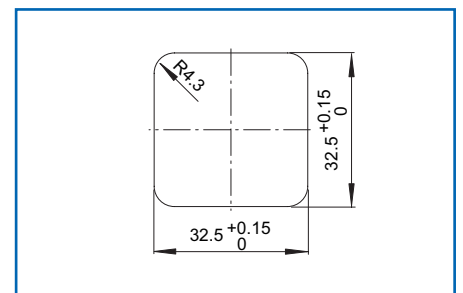
外形图 Figure(mm)



电路原理图 Circuit diagram



安装尺寸 Mounting deminsions(mm)



性能 Properties

电气性能 Electrical Properties	指示灯 Indication light	额定电压(可选) Rated Voltage(Optional)	DC24V
		额定电流 Rated Current	<30mA
	开关 Switch	额定电压 Rated Voltage	DC24V
		额定电流 Rated Current	50 mA
	接触电阻 Contact Resistance	≤100 mΩ	
	绝缘电阻 Insulation Resistance	≥100 MΩ	
机械性能 Mechanical Properties	动作行程 Operation Distance	0.3~0.7mm	
	最大行程 Maximum Distance	0.8 mm	
	动作压力 Operation Pressure	3~6 N	
	寿命 Life-span	>100万次 >1 millions of operation	
使用环境 Operating Environment	使用温度 Operating Temperature	-10℃~50℃ (但不可结冰) -10℃~50℃ (no icing)	
	使用湿度 Operating Humidity	20%~90%	