

# The DELTA Platform Lift

This information manual aims at providing a quick overview over the diverse application possibilities that the Delta platform lift provides. In over 2000 installations worldwide, the Delta has proven to be the most versatile and one of the most robust platform stairlifts on the market.



The following main features make the Delta an outstanding product on the market:

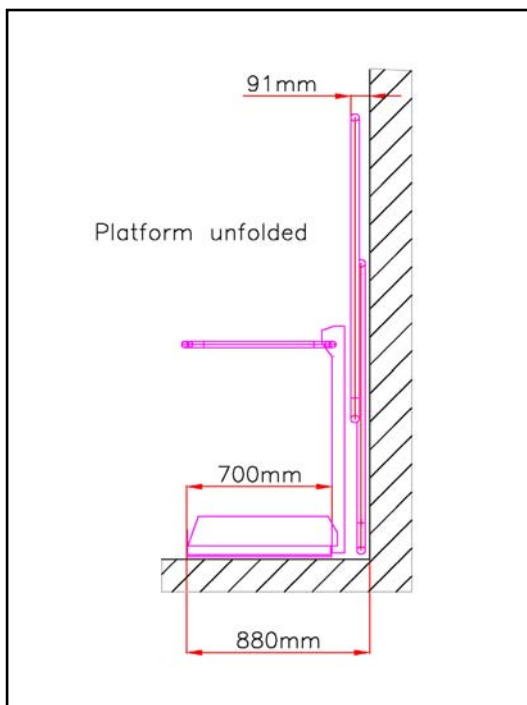
1. **Space saving design** of the platform and the rail system makes the platform fit into the narrowest staircases Page 1
2. **Extremely robust construction** of the platform mechanics, making it a very most robust platform lift Page 4
3. The lift finish can be executed in **stainless steel or in any RAL colour**, adapting aesthetically to any environment Page 5

## 1 Space saving design

In many cases the installation of a platform lift is restricted by the width of the staircase as well as by the space available for parking. The Delta can be fitted into staircases where most other platform lift products cannot be installed due to space restrictions.

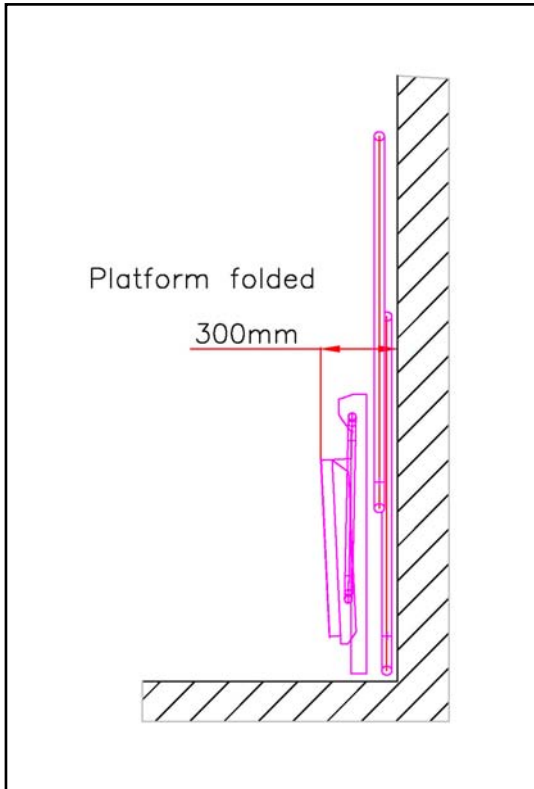
### 1.1 Unfolded position of platform

A platform with a width of 700mm can be installed in a staircase with a width of just 890mm, if the rail is wall mounted. The Delta systems always allows for the biggest possible platform size to be fitted in a given situation.



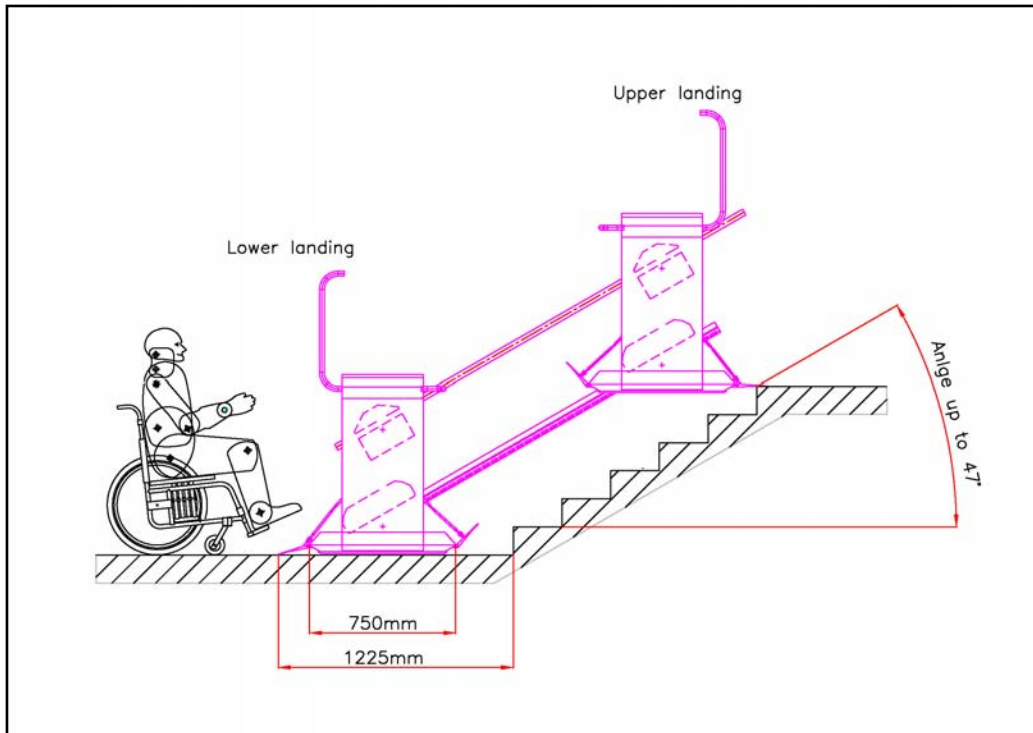
### 1.2 *Folded position of platform*

In the folded position the platform occupies only 300 mm of space if fixed directly to the wall, thus increasing the clearance left on the staircase to the maximum. The dimensions of the closed platform show that it was designed to be as compact as possible, so not creating an obstacle when parked away.



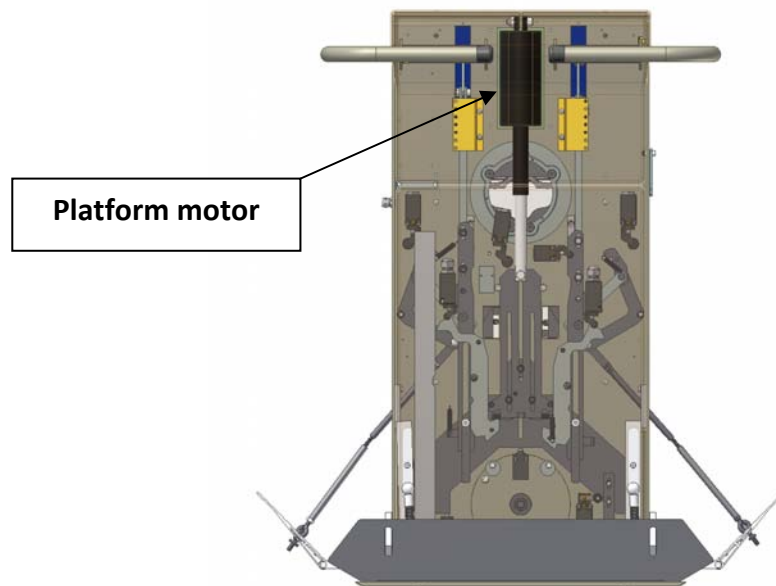
### 1.3 Lower parking space

The space required for the parking in the lower stop position can be reduced to a minimum. For a platform length of 750 mm the necessary space required in front of the first step is just 1225 mm.



## 2 Robust design of platform mechanics

The carriage is equipped with a centralized platform motor that is steering all platform functions. In the centre, the vertically positioned motor activates the folding and opening of the platform as well as the movement of the barrier arms and the access ramps. This unique systems allows for a minimum use of electrical components which in turn makes the unit easy to maintain and very robust for outdoor applications, even in the most unfavourable weather conditions.



### 3 Special lift finish

The standard rail colour of the Delta is RAL 7035 (cream-white) for the platform and RAL 9007 (aluminium-grey) for the rails.

If needed, the rail and the platform can be powder coated in any RAL colour.

Optional it is possible to have the rails and platform in stainless steel. A common option is to have only the upper rail in stainless steel (which acts as a handrail) and have the remaining parts in standard colour.

These options make it possible to match the lift appearance harmonically with the surroundings. Please see below some examples.



Picture 1: Rail in stainless steel



Picture 2: Rail in RAL 9007



Picture 3: Platform in special colour

**For any enquiries or feasibility studies please contact:**

***Lehner Liftechnik GmbH***

Salling 8

4724 Neukirchen am Walde

Austria

Tel.: 0043 7278 3514

Fax: 0043 7278 351412

Email: [office@lehnerliftechnik.at](mailto:office@lehnerliftechnik.at)

Web: [www.lehnerliftechnik.at](http://www.lehnerliftechnik.at)

